

RACO - Remote Alarms & Controls



Customer RACO - Remote Alarms & Controls
 1400 62nd Street
 Emeryville, CA
 Phone 1-800-449-4539
 Fax 1-510-658-6713
 Website www.racoman.com

Verbatim
Gateway

Project name RACO_Verbatim
 drawing number DRW01062009
 Project description Verbatim

RACO Verbatim Gateway No Enclosure LAN Phone Digital Inputs (4 to 32 Input Config. Avail)
 Shown with: 32 Inputs (304VSS-32C) Local Alarm Relay Option

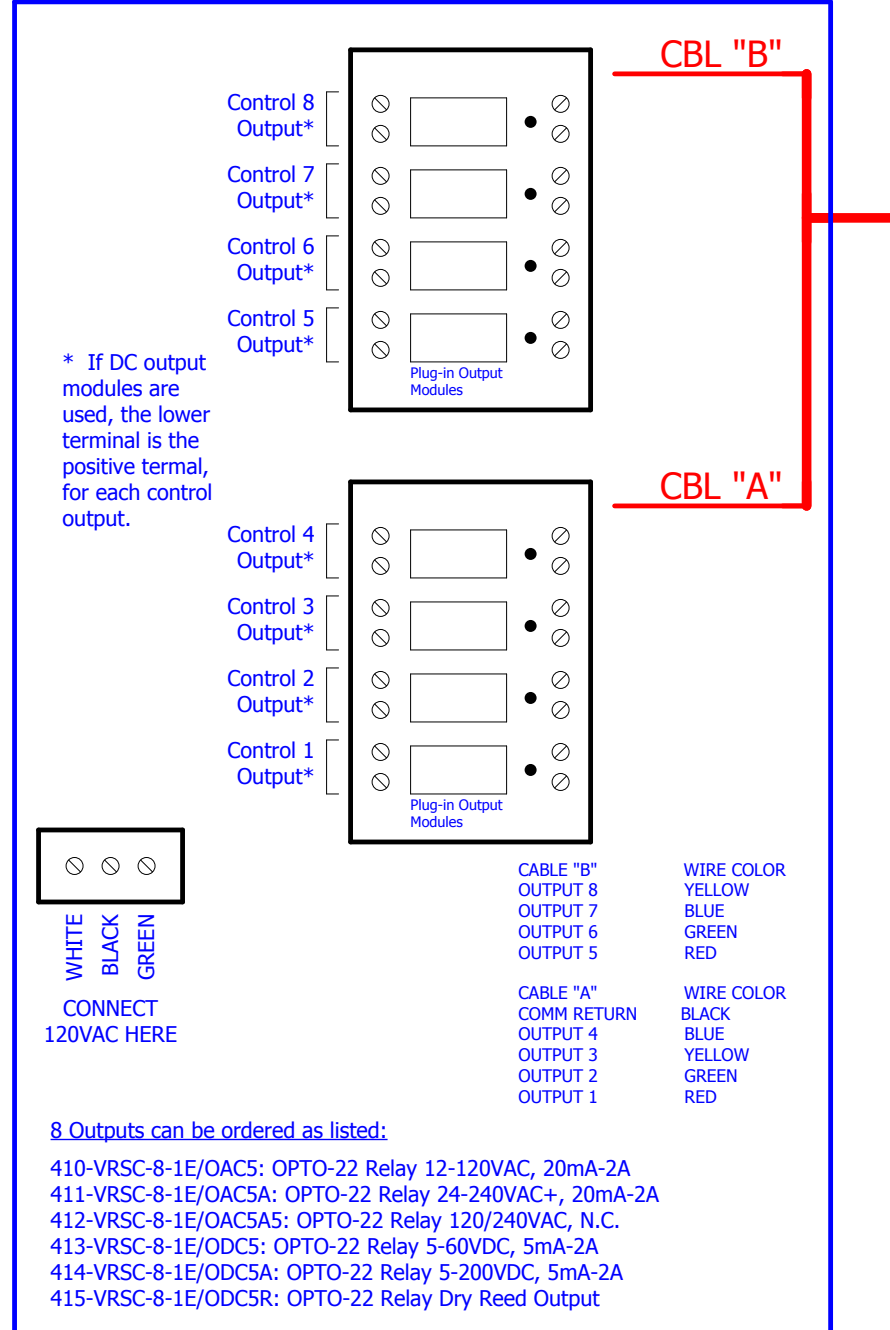
Analog Inputs (1 to 16 Input Config. Avail)
 Shown with: 16 Inputs (38016VA-2E) Line Siezure Relay Option

Communications Option
 VCP Card - RS-232, DF1, DH 485, Modbus, Serial Printers

Digital Outputs Option (4 or 8 Outputs Config. Avail)
 Shown with: Remote Supervisory Control - 8 Outputs

Number of pages 3

VRSC Remote Supervisory Control Pnl (Optional)

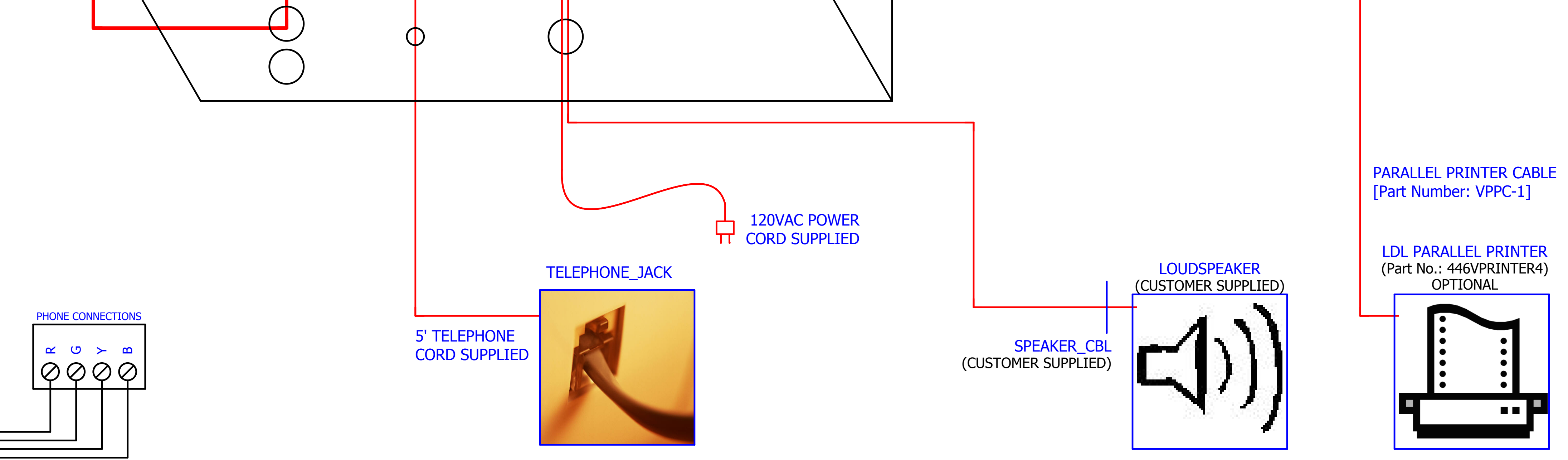
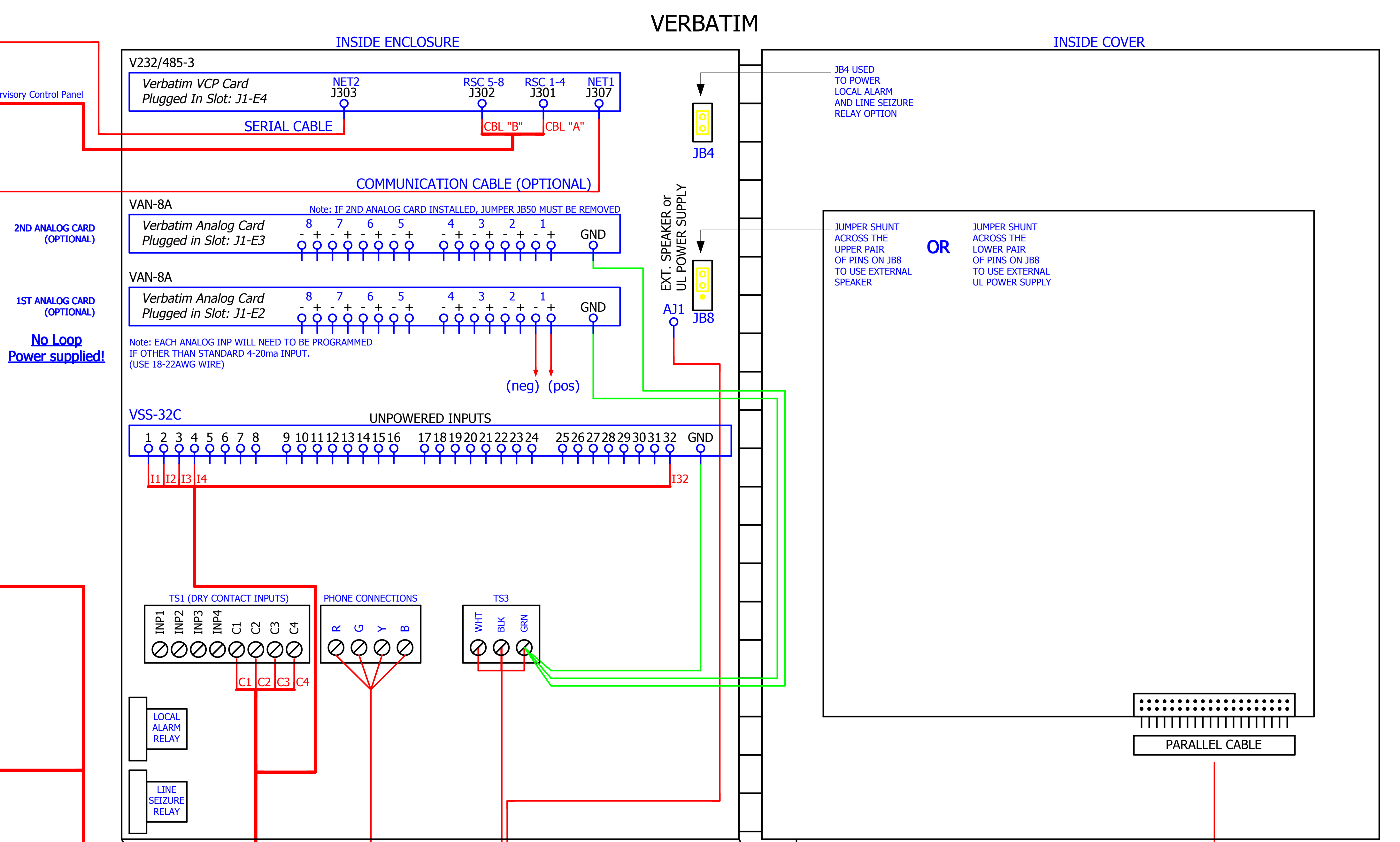
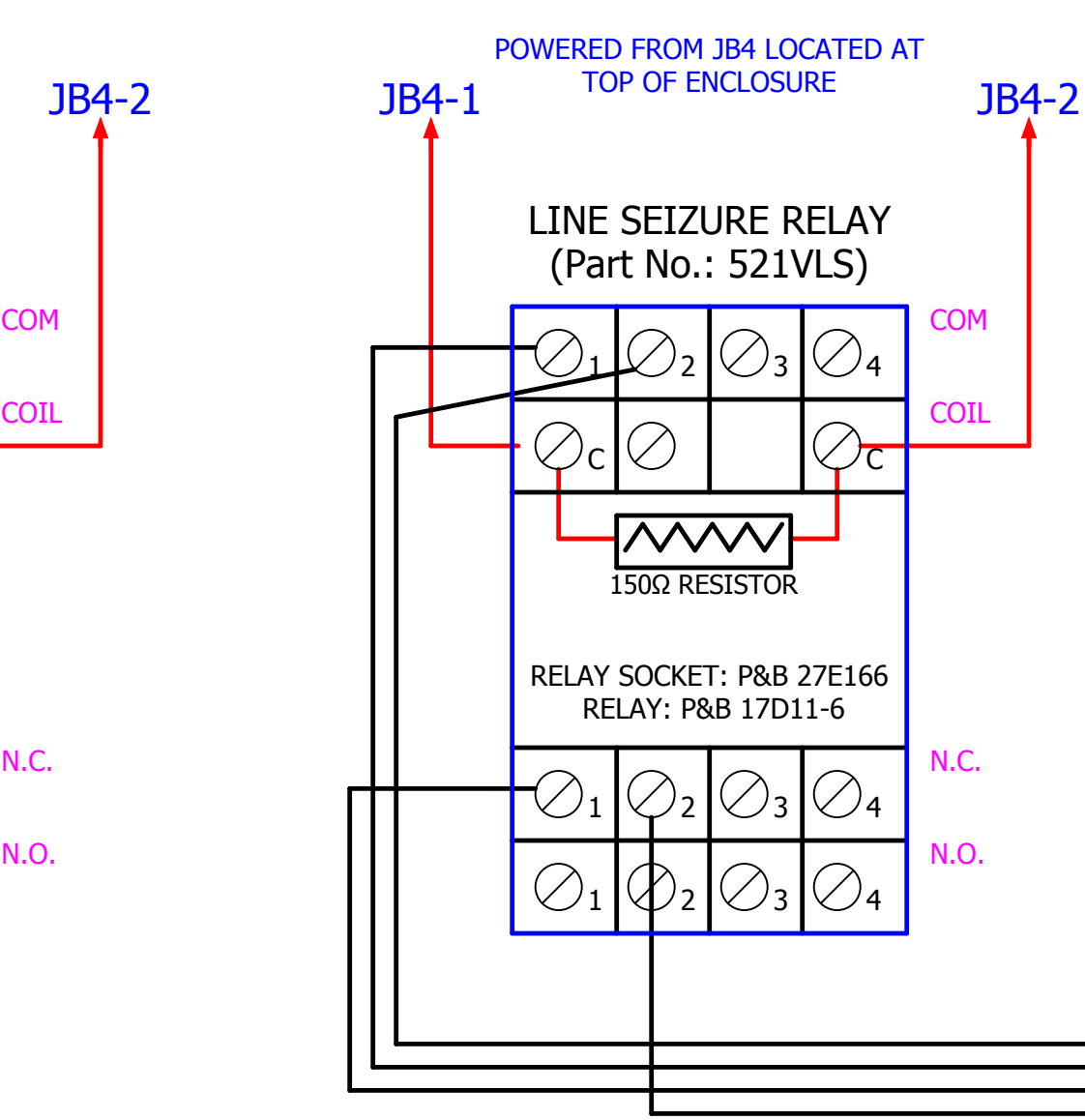
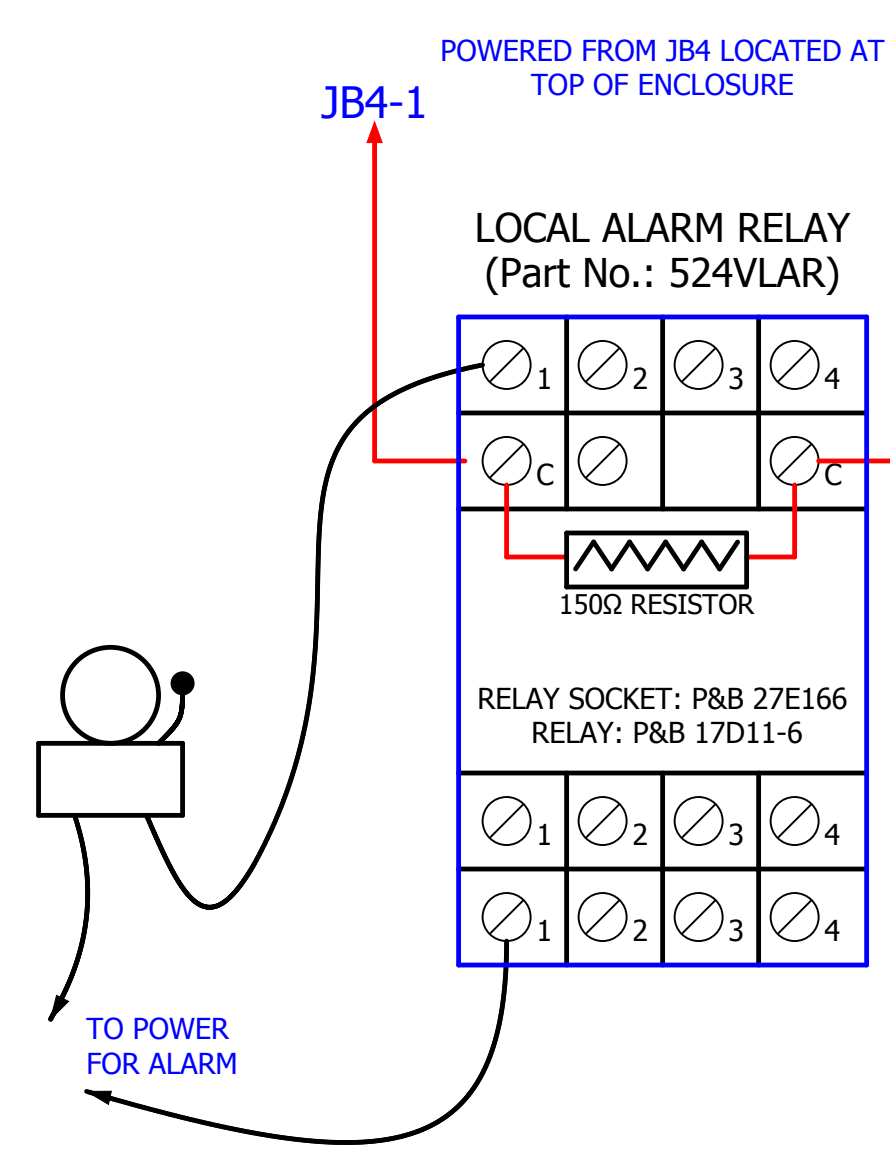
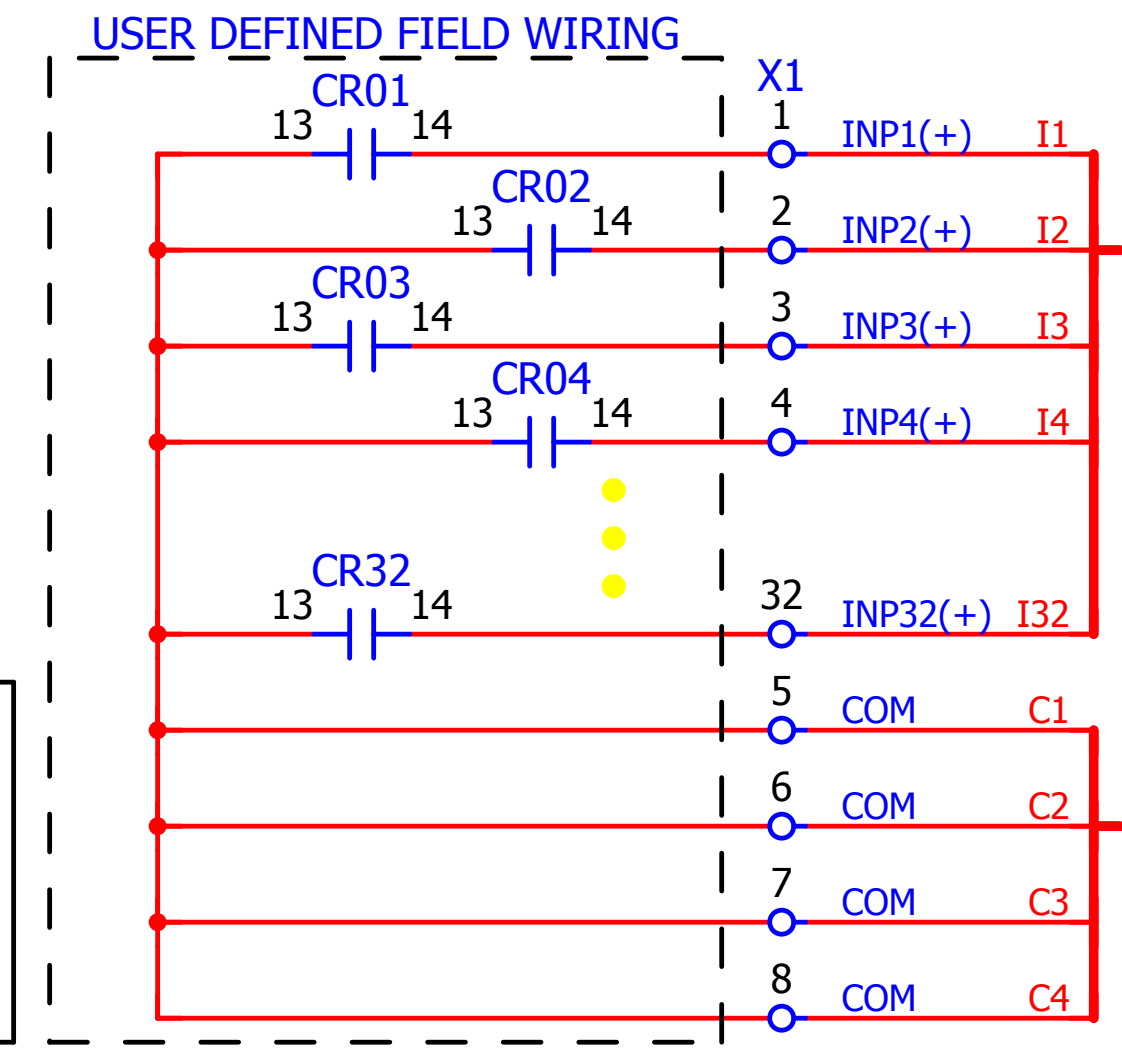


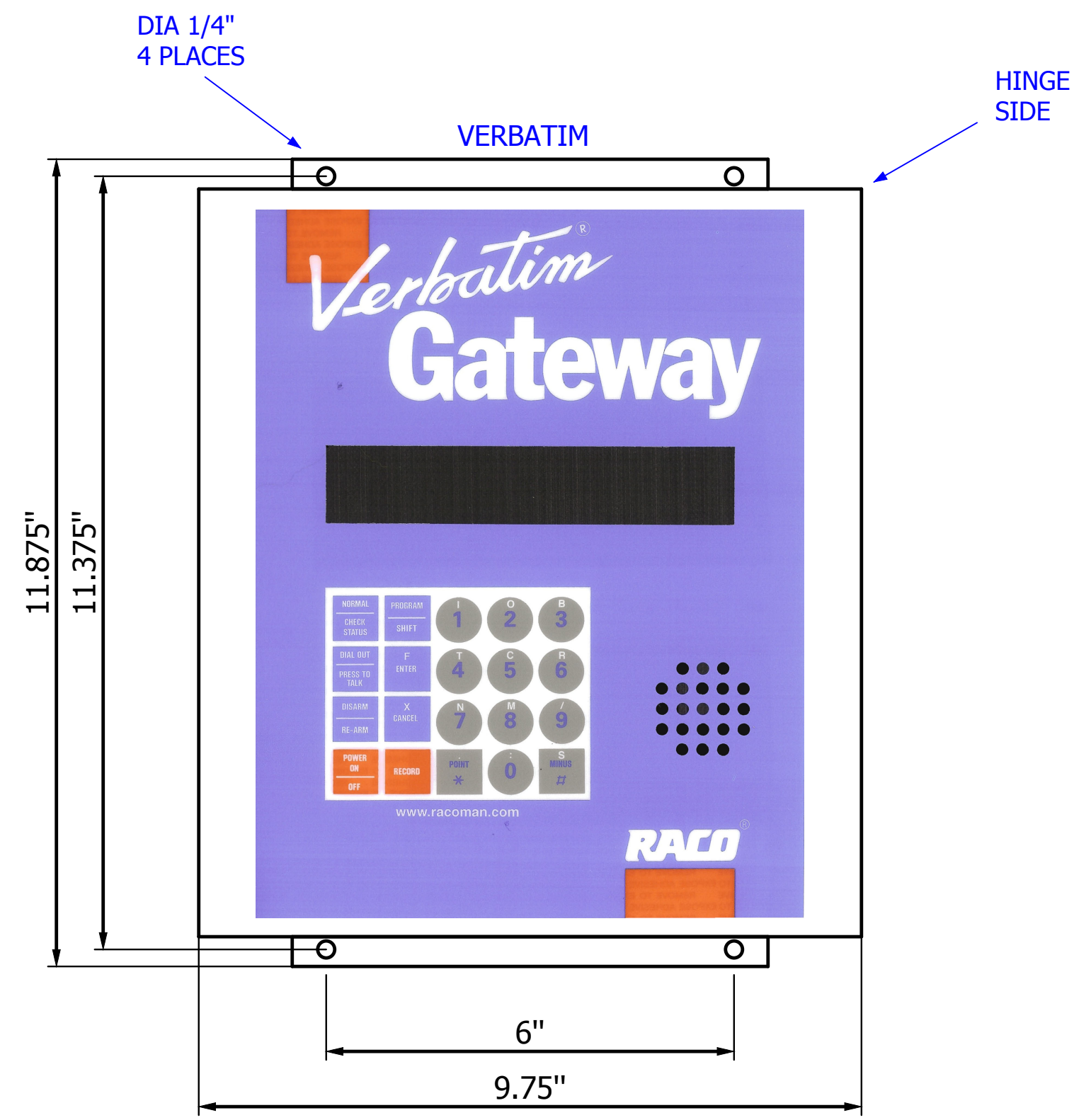
MUST CHOOSE ONE OF THE FOLLOWING CONFIGURATIONS

- HMI/SCADA
- ANY DF1 Compatible Device
- Serial Printer (VSER-01 Serial Cable)
- ANY MODBUS Compatible Device

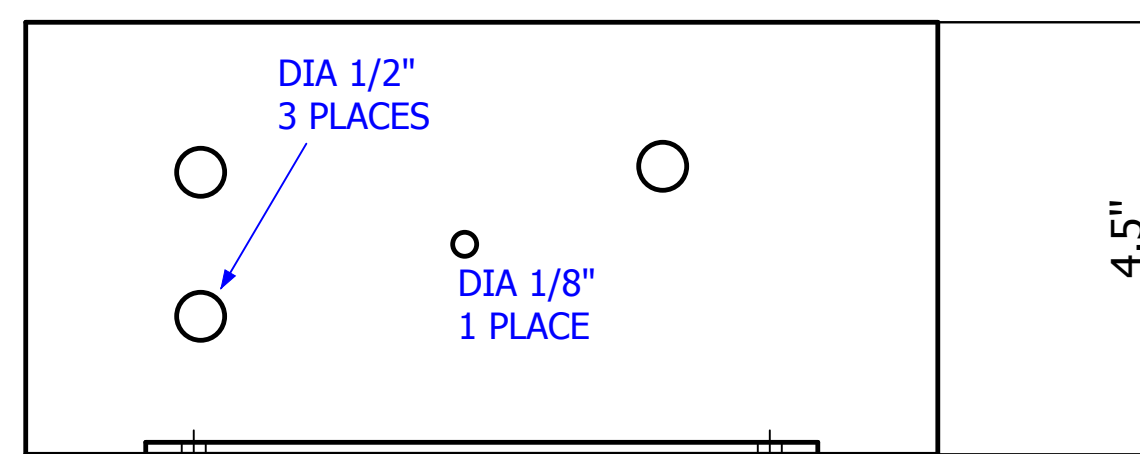
MUST CHOOSE ONE OF THE FOLLOWING CONFIGURATIONS

- Supports up to the following:
- | MODEL NUM. | PLC Protocols |
|-----------------|------------------------------------|
| 320VPLC-4C-32 | DF1 & Modbus connection via RS-232 |
| 321VPLC-4C-32AB | DF1 & Modbus connection via RS-232 |
| 322VPLC-4C-64 | DH 485 via RS-485 |
| 323VPLC-4C-64AB | DF1 & Modbus connection via RS-232 |
| 324VPLC-4C-96 | DF1 & Modbus connection via RS-232 |
| 325VPLC-4C-96AB | DF1 & Modbus connection via RS-232 |
| | DH 485 via RS-485 |
- Available Cables:
510VAB-1 - 6' Serial Allen-Bradley DF1 communications cable
511VAB500-1 - 6' Serial Allen-Bradley DH-485 communications cable
512VAB5-CO - 6' Serial Allen-Bradley PLC Channel 0 communications cable
513VAB5-KE - 6' Serial Allen-Bradley 1785-KE Module communications cable
514VAB5-KF - 6' Serial Allen-Bradley 1770-KF2 Module communications cable
- OR
- VSER-01 Serial Cable
for Local RS-232 or LDL Serial Printer





FRONT VIEW



END VIEW