


RACO - Remote Alarms & Controls



Customer RACO - Remote Alarms & Controls
 1400 62nd Street
 Emeryville, CA
 Phone 1-800-449-4539
 Fax 1-510-658-6713
 Website www.racoman.com

Project name RACO_GUARD-IT
 Drawing Number DRW050708
 Project description **RACO Guard-IT**

Number of pages 3

	Project name:	Page Description:	Customer:	Modification	Date	Name	Date	Name	Original:	Title page	Higher-level function:	Mounting location:
	RACO_GUARD-IT	Title page	RACO - Remote Alarms & Controls 1400 62nd Street Emeryville, CA 94608				2008.05.07		Approved by:		=	+
							2008.11.06	PyH	Checked by:	Commission: ???		Page: 1
									Previous page:	Total no. of pages: 3	Page Group: 3	Next page: 2

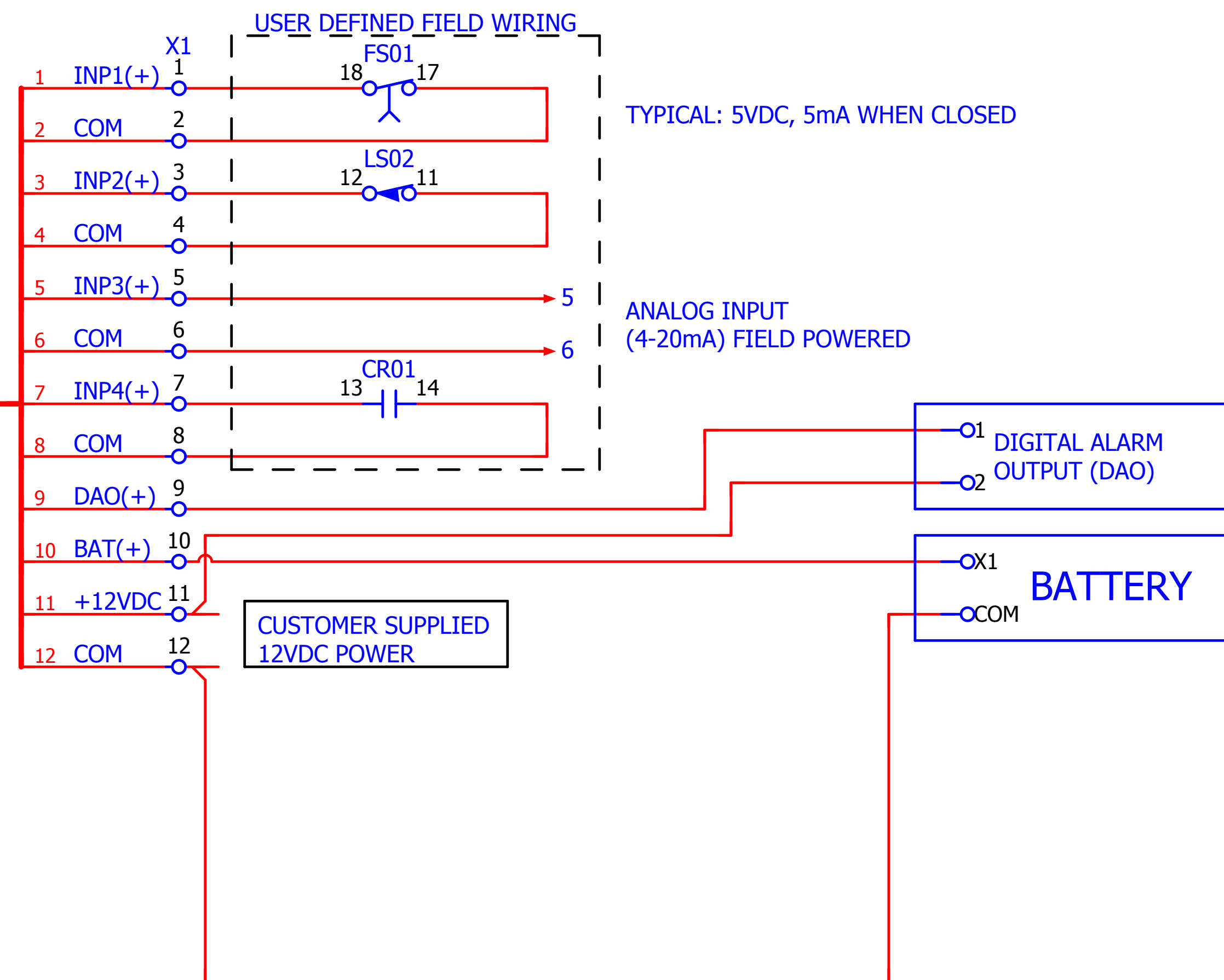
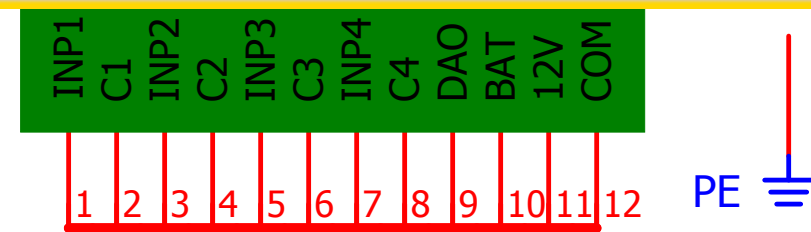


PLAIN OLD TELEPHONE FOR PROGRAMMING



NOTE: THE INPUT CHANNELS ON TERMINALS X1 THRU X8 ARE USER PROGRAMMABLE TO ALARM ON ANY OF THE FOLLOWING:
 1. OPEN CIRCUIT,
 2. CLOSED CIRCUIT,
 OR
 3. ANALOG HIGH AND/OR LOW ALARM SETPOINTS (4-20mA).

ALARMS ARE CAPABLE OF BEING INDEPENDENTLY PROGRAMMED.
SAMPLE WIRING SHOWN BELOW

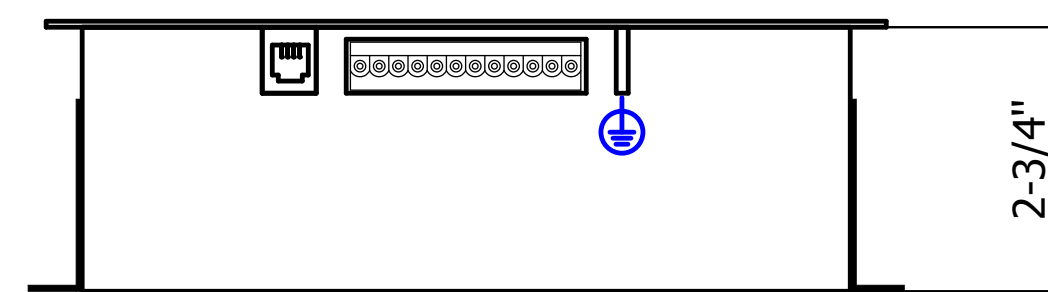


NOTE: ALL COMMONS ARE EQUAL, NOT ISOLATED

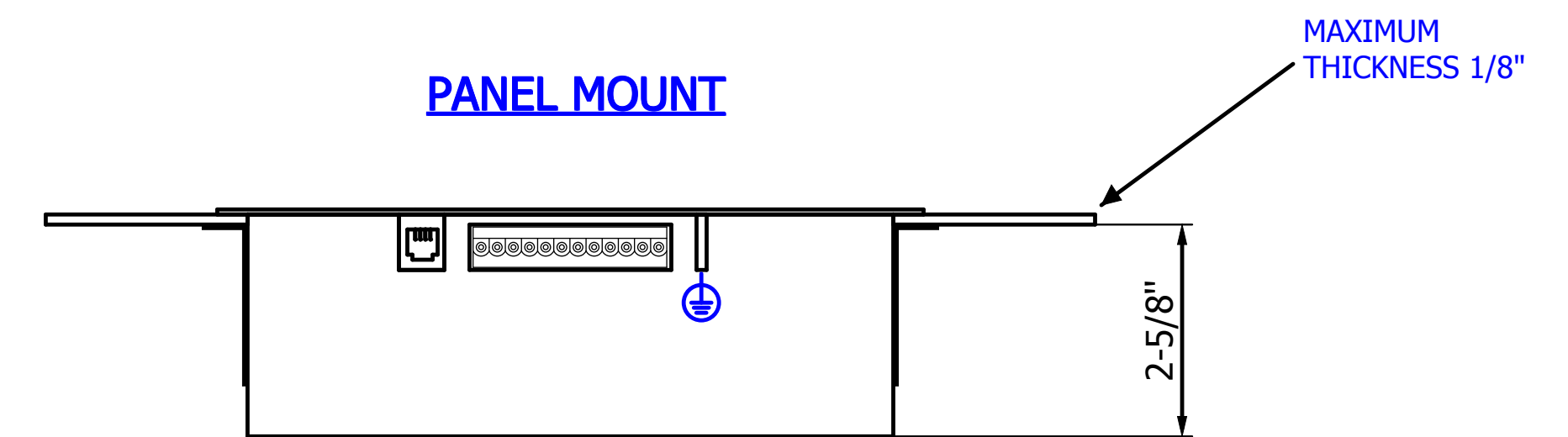




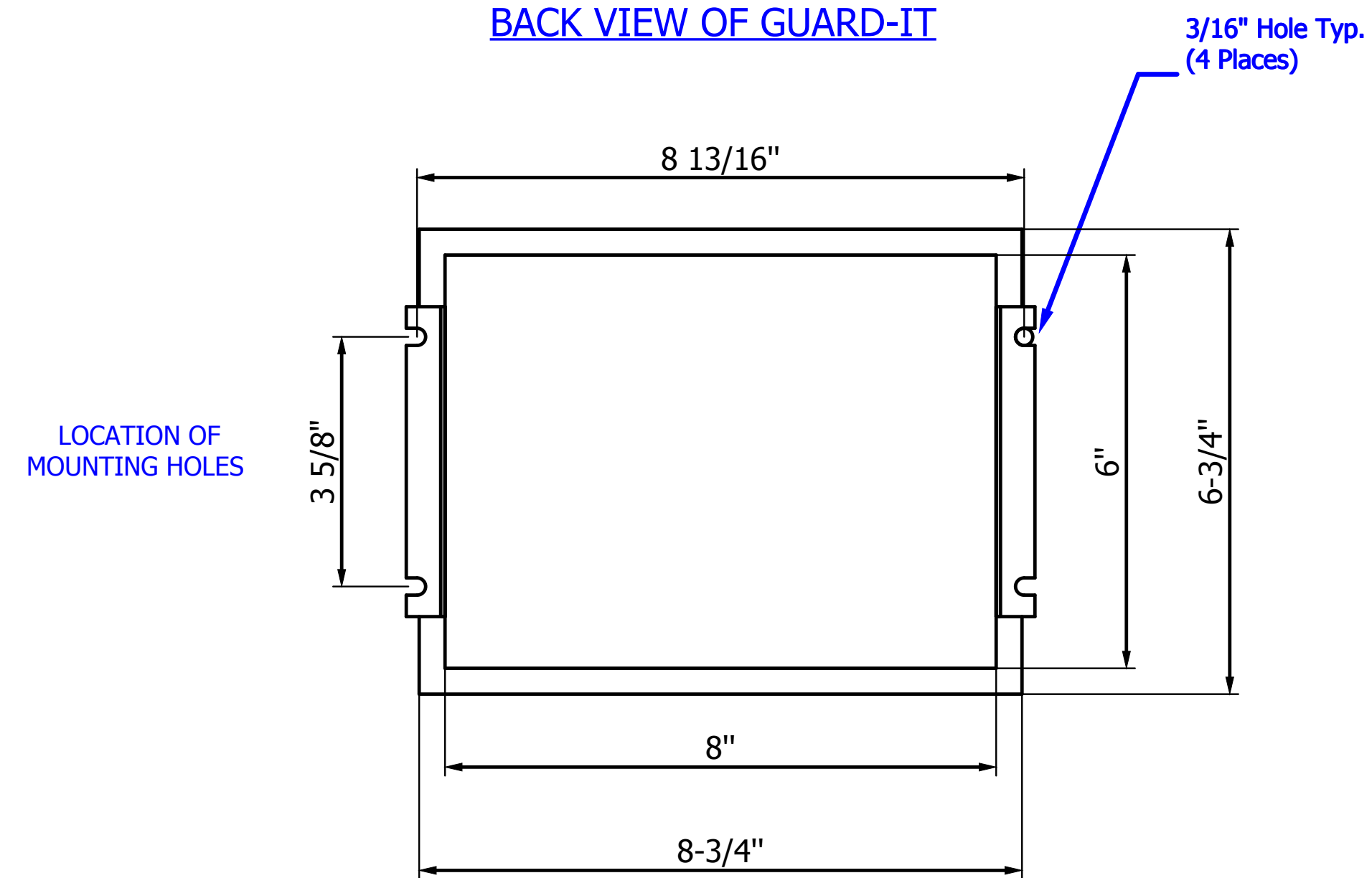
WALL MOUNT



PANEL MOUNT



BACK VIEW OF GUARD-IT



PANEL CUTOUT DIMENSIONS

