

# RACO - Remote Alarms & Controls



Customer RACO - Remote Alarms & Controls  
 1400 62nd Street  
 Emeryville, CA

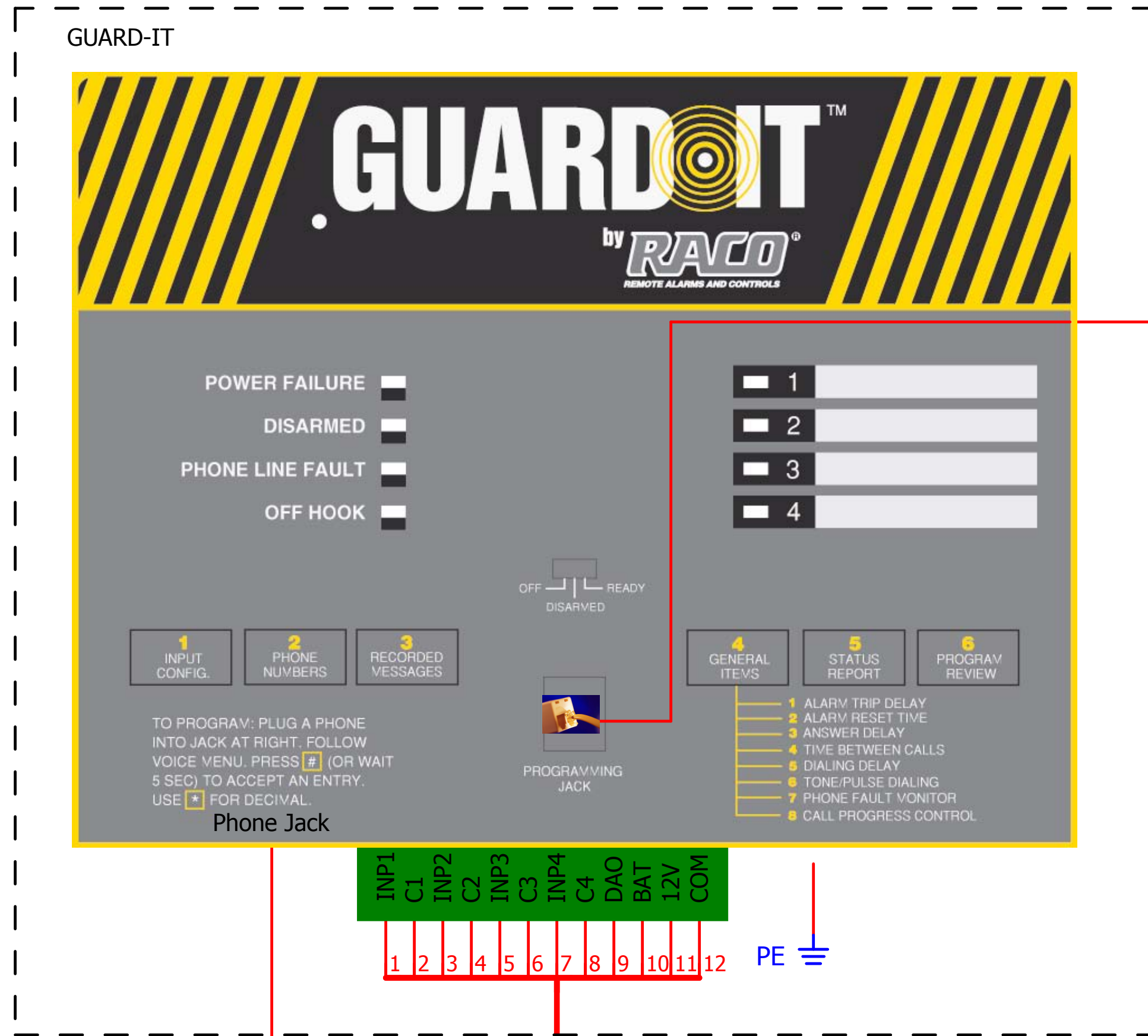
Phone 1-800-449-4539  
 Fax 1-510-658-6713  
 Website www.racoman.com

Project name RACO\_GUARD-IT  
 Drawing Number DRW050708  
 Project description **RACO Guard-IT**

**GUARD-IT with AC Power Supply**  
**GUARD-IT with NEMA 4X Enclosure**

Number of pages 3

GUARD-IT MOUNTED INSIDE NEMA-4X ENCLOSURE

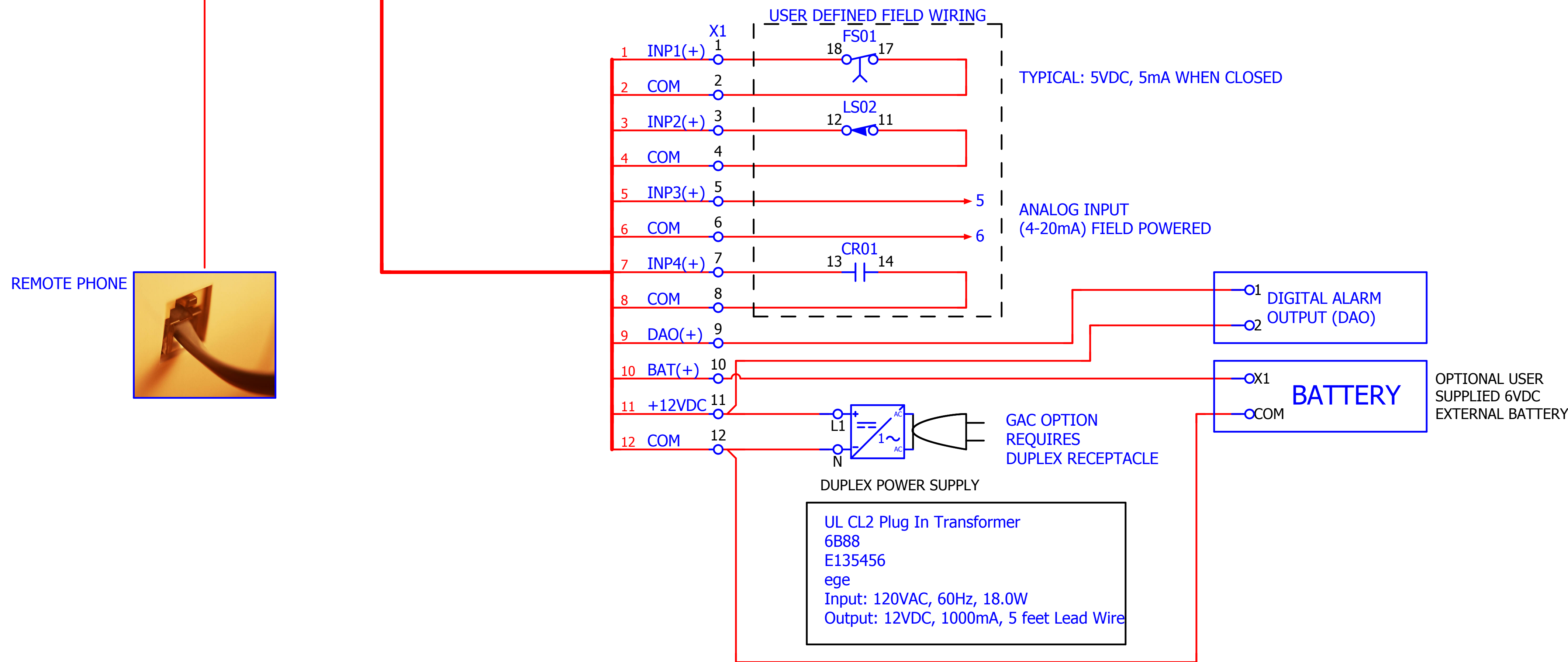


PLAIN OLD TELEPHONE FOR PROGRAMMING



NOTE: THE INPUT CHANNELS ON TERMINALS X1 THRU X8 ARE USER PROGRAMMABLE TO ALARM ON ANY OF THE FOLLOWING:  
 1. OPEN CIRCUIT,  
 2. CLOSED CIRCUIT,  
 OR  
 3. ANALOG HIGH AND/OR LOW ALARM SETPOINTS (4-20mA).

ALARMS ARE CAPABLE OF BEING INDEPENDENTLY PROGRAMMED.  
SAMPLE WIRING SHOWN BELOW



NOTE: ALL COMMONS ARE EQUAL, NOT ISOLATED



Project name: RACO\_GUARD-IT

Page Description: Guard-It Wiring

Customer: RACO - Remote Alarms & Controls  
 1400 62nd Street  
 Emeryville, CA 94608

Modification	Date	Name	Ed. by	Date	Name	Original:
				2008.05.07		Approved by:
			Appr	2008.11.06	PyH	Checked by:
						Previous page:

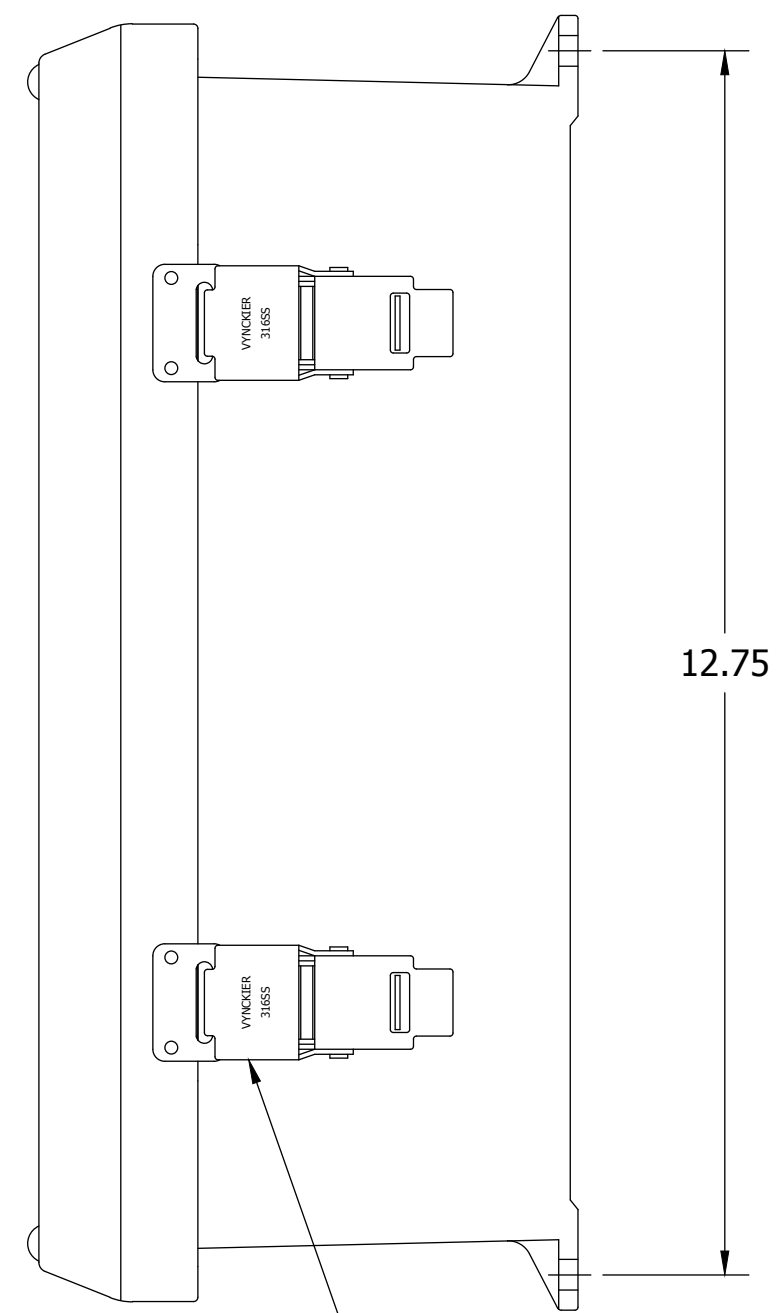
Guard-It Wiring	Higher-level function:	Mounting location:
Commission: ???	=	+
Total no. of pages: 3	Page Group: 3	Page: 2
		Next page: 3

**FRONT VIEW-COVER REMOVED**

NEMA 4X ENCLOSURE

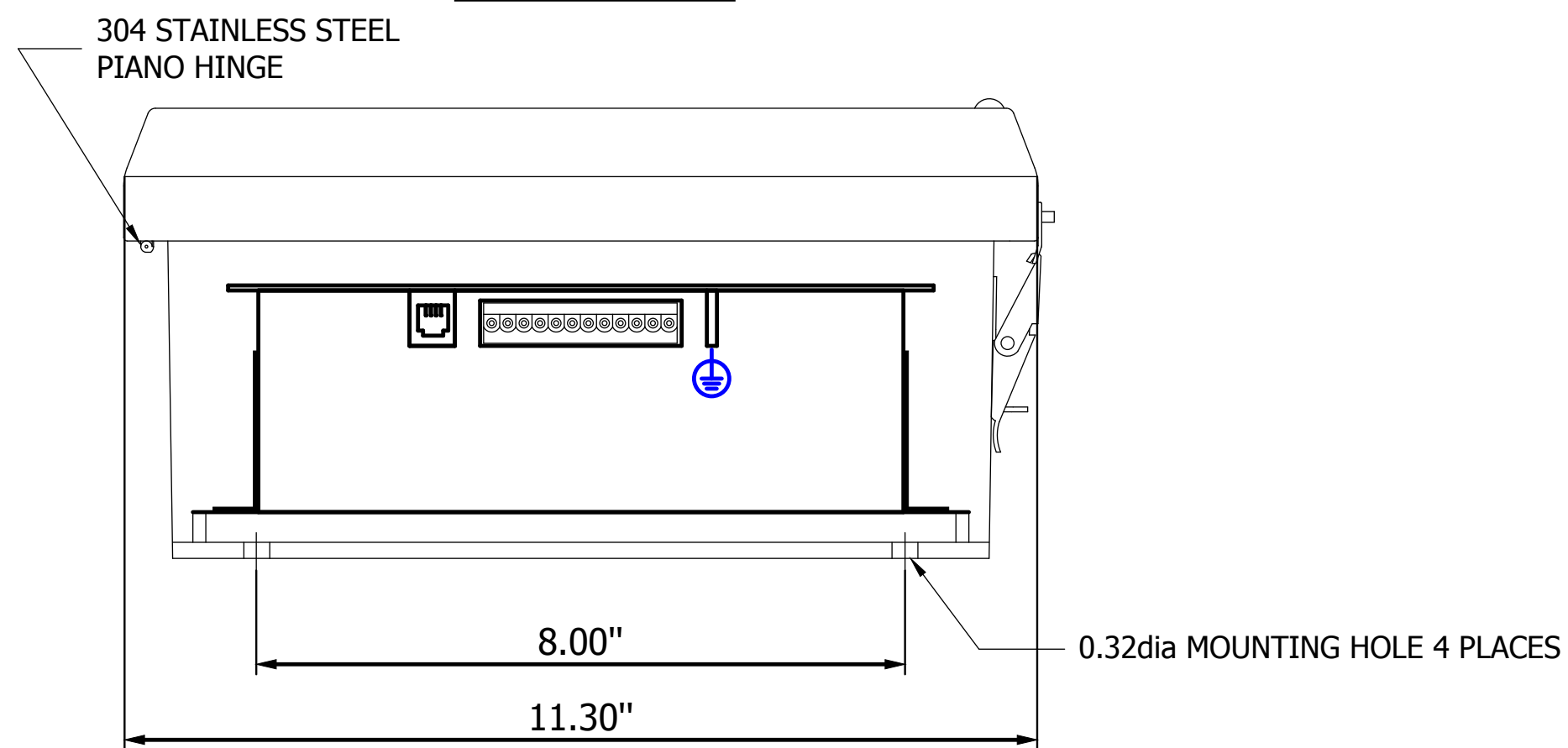


**RIGHT SIDE VIEW**



316 STAINLESS STEEL  
PADLOCK LATCH ATTACHED  
WITH RIVETS. 0.375dia PADLOCK EYE

**END VIEW**



304 STAINLESS STEEL  
PIANO HINGE

0.32dia MOUNTING HOLE 4 PLACES