

RACO - Remote Alarms & Controls



Customer RACO - Remote Alarms & Controls
 1400 62nd Street
 Emeryville, CA

Phone 1-800-449-4539
 Fax 1-510-658-6713
 Website www.racoman.com

Project name RACO_GUARD-IT
 Drawing Number DRW050708
 Project description **RACO Guard-IT**

GUARD-IT with AC Power Supply

Number of pages 3

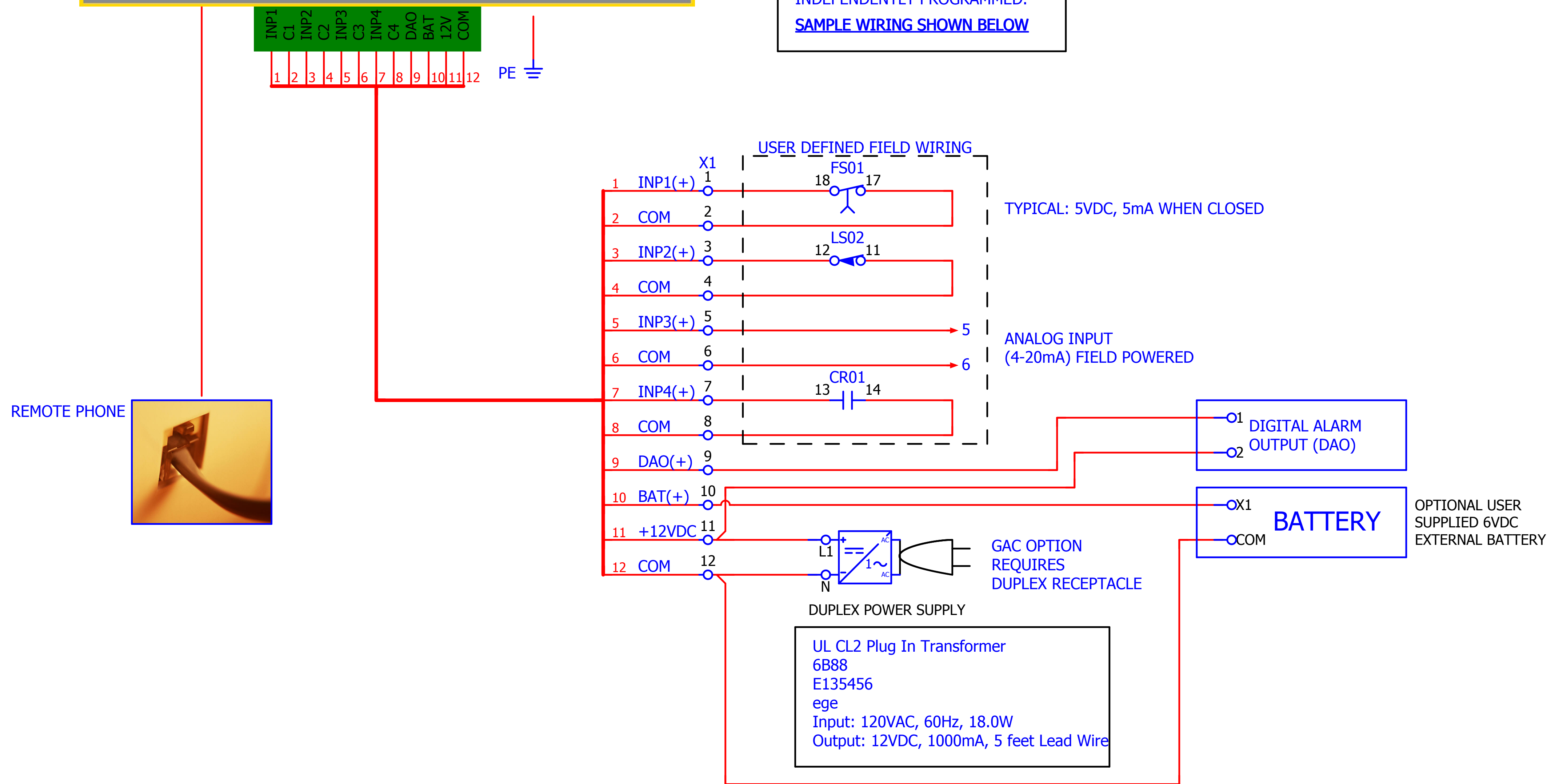


PLAIN OLD TELEPHONE FOR PROGRAMMING

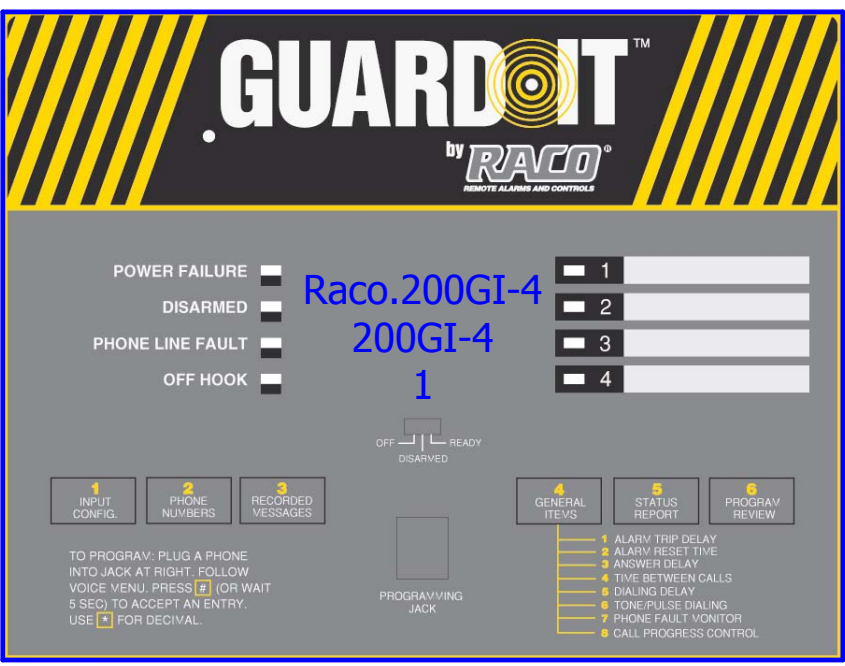


NOTE: THE INPUT CHANNELS ON TERMINALS X1 THRU X8 ARE USER PROGRAMMABLE TO ALARM ON ANY OF THE FOLLOWING:
 1. OPEN CIRCUIT,
 2. CLOSED CIRCUIT,
 OR
 3. ANALOG HIGH AND/OR LOW ALARM SETPOINTS (4-20mA).

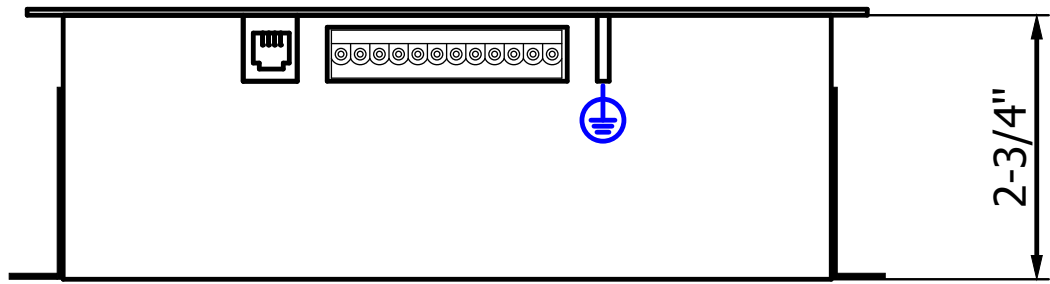
ALARMS ARE CAPABLE OF BEING INDEPENDENTLY PROGRAMMED.
SAMPLE WIRING SHOWN BELOW



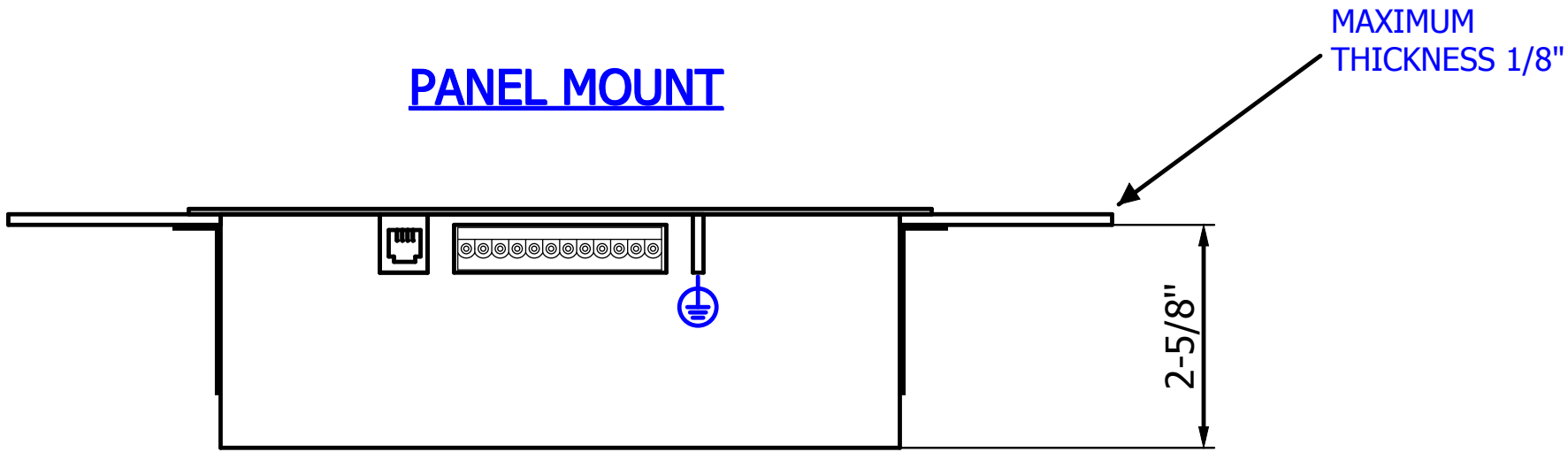
NOTE: ALL COMMONS ARE EQUAL, NOT ISOLATED



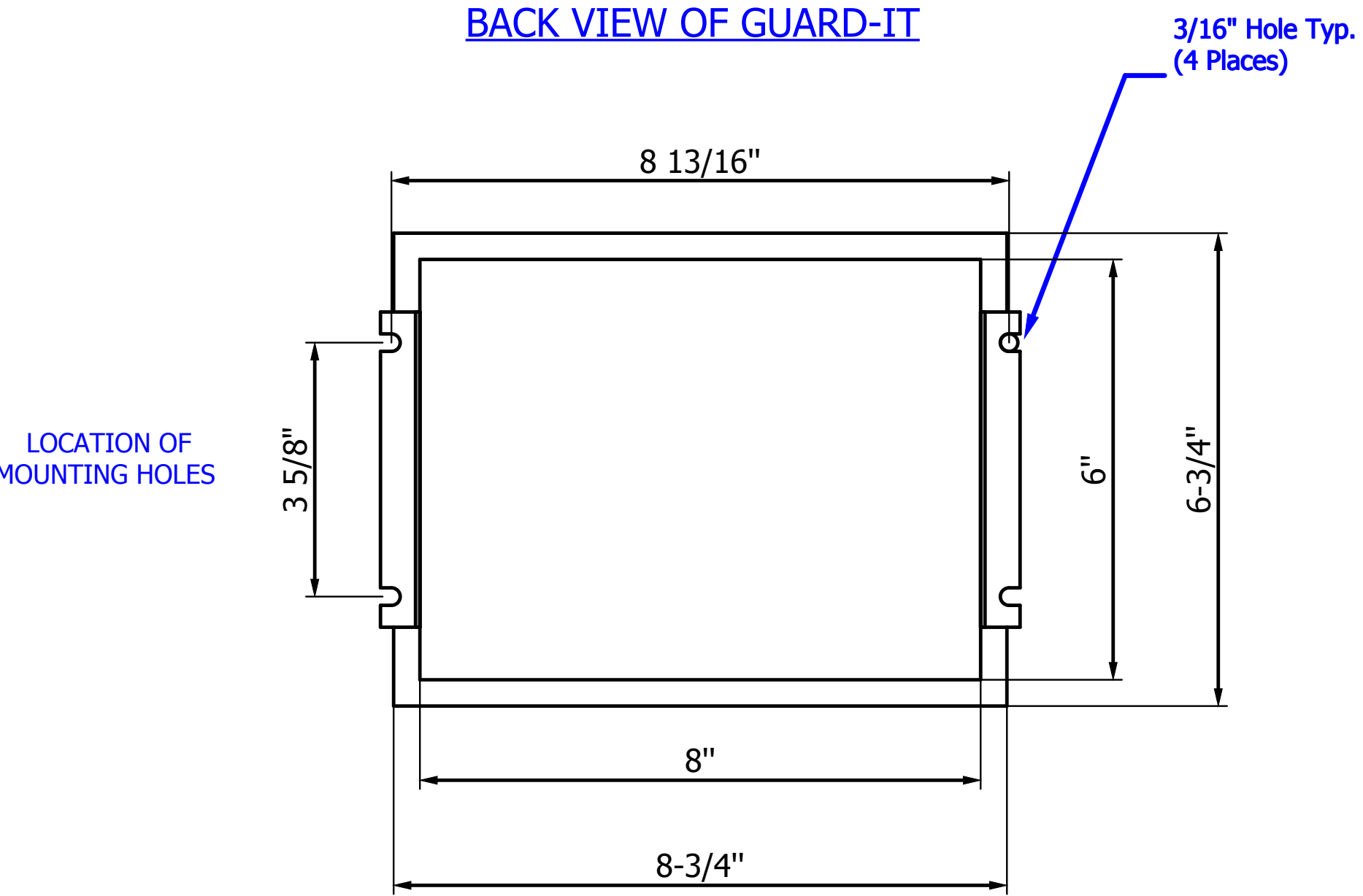
WALL MOUNT



PANEL MOUNT



BACK VIEW OF GUARD-IT



PANEL CUTOUT DIMENSIONS

