



**Six3 Tile®** is an innovative, patent-pending tile product that is a single, integrated system providing the classic look and feel of traditional ceramic tile without the need for costly specialized skills or tools.

Our water-tight seam sealing processes make our tile ideal for tub surrounds and showers. These lightweight, flexible yet durable large format panels install with a speed that is unmatched, resulting in a cost-efficient, professional look in about an hour.



**SPEED OF INSTALLATION**



No special tile skills or tools are needed to install **Six3 Tile**. A tub surround or shower installation can be ready for grout in about an hour.

A standard **Tub Surround Kit** contains **9 tile panels** and a standard **Shower Kit** contains **12 tile panels**. Panels are pre-cut to industry standard tub sizes (60") but are easily modified to fit any space.

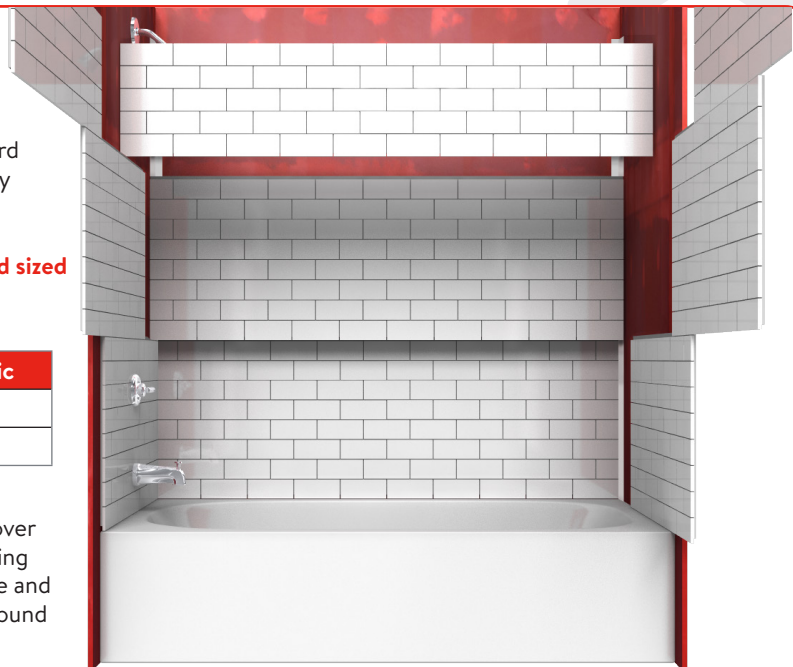
**Each kit contains enough tile panels to complete ONE standard sized tub surround or shower stall.**

Number of tiles/panels to install	Six3 Tile	Ceramic
Standard Tub Surround	9	552*
Standard Shower	12	736*

*\*Based on a 3" x 6" subway tile pattern*

No special surface prep is necessary. **Six3 Tile** can be installed over moisture-resistant drywall, cement backer boards or even existing tile. Attach tile sheet to the surface using construction adhesive and PVC cement. Our tile sheets are flexible for easy installation around obstacles or uneven surfaces.

You can use an oscillating saw or circular saw to cut the tile. Access holes for pipes, faucets and fixtures can be cut with a hole saw or oscillating saw.



*A tub surround or shower kit is installed in a specific order to create a watertight enclosure, ready for grout, in about an hour.*



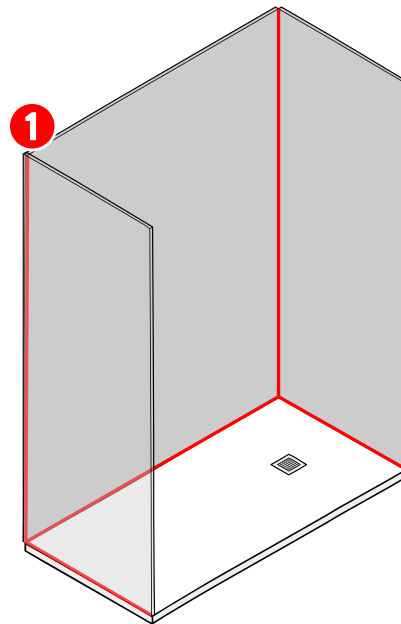
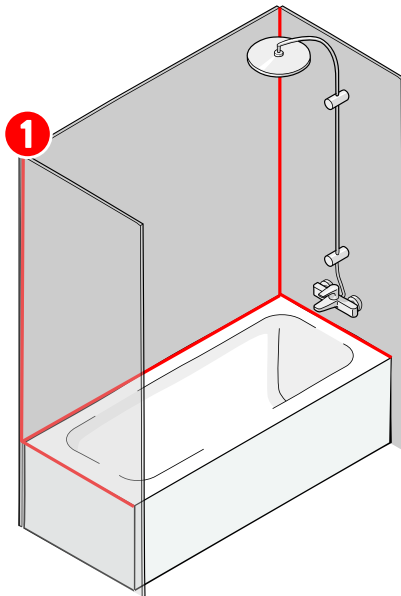
## WATER-TIGHT ASSEMBLY



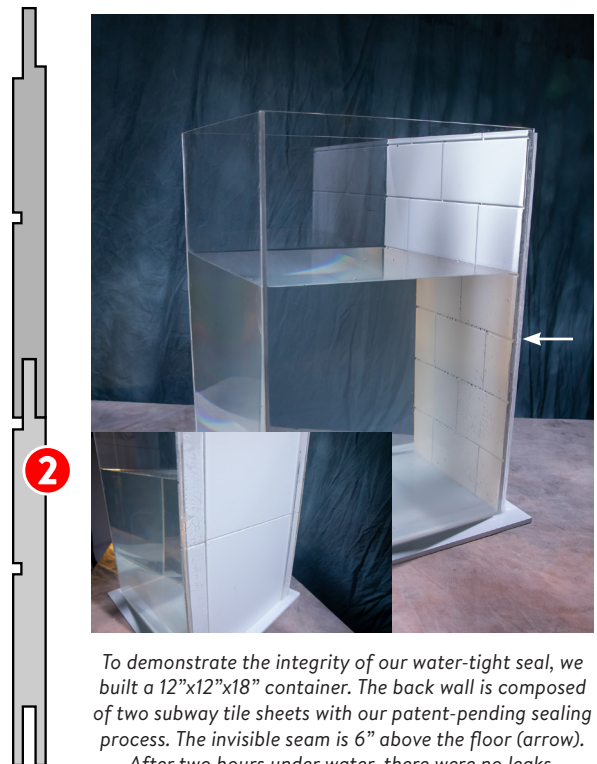
**Six3 Tile** is mounted to the backer surface using off-the-shelf Type 1 mastic (over moisture-resistant wallboard or cement board) or construction adhesive (over existing tile). PVC cement is used on stacked panel seams to create a chemical weld, becoming a water-tight barrier.



- 1** We use a bead of silicone sealant to create the water-tight seal along the vertical corners of each wall, and along the base where the first tile panel meets the tub or shower pan.



- 2** Our tile panels are designed to be installed with the tongue side up and the channel side down. They are engineered to interlock together when stacked. A water-tight weld is formed by using the brush from the PVC cement cap to coat the tongue of the lower installed panel. The top panel is then slipped over the bottom panel. The joint is also designed to automatically create a grout channel, so no tile spacers are necessary. This seam becomes invisible even before grout is applied.



To demonstrate the integrity of our water-tight seal, we built a 12"x12"x18" container. The back wall is composed of two subway tile sheets with our patent-pending sealing process. The invisible seam is 6" above the floor (arrow). After two hours under water, there were no leaks.

Illustrations not to scale.

## FINISHING & GROUTING



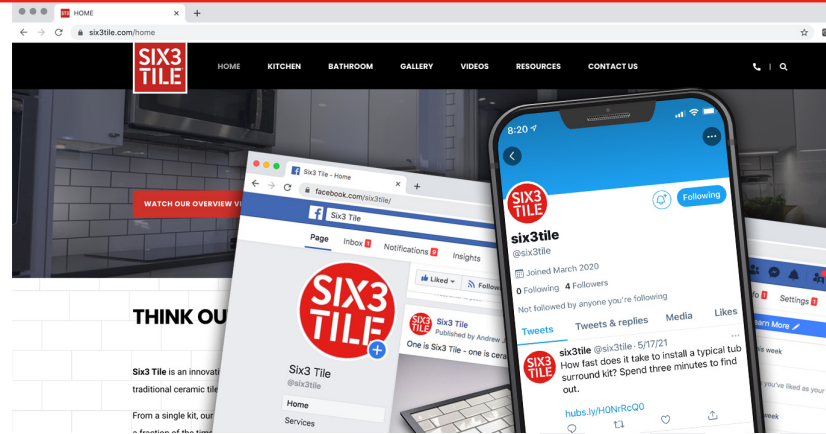
Grouting can begin immediately after tile panel installation is complete. There is no need to wait for mastic or adhesive to set. Standard application techniques, using a rubber grout float, is all that is necessary.

Any color grout can be used, however, **use only non-sanded or un-sanded grout on Six3 Tile.**

## FOR MORE INFORMATION

We serve the student housing, multi-family (new construction and renovation) and hospitality markets. Additional information about us, including application videos and a constantly updating Gallery of finished projects, can be found on our website. You can also connect with us on our Facebook page.

[www.SIX3TILE.com](http://www.SIX3TILE.com)  
[www.FACEBOOK.com/six3tile](https://www.FACEBOOK.com/six3tile)

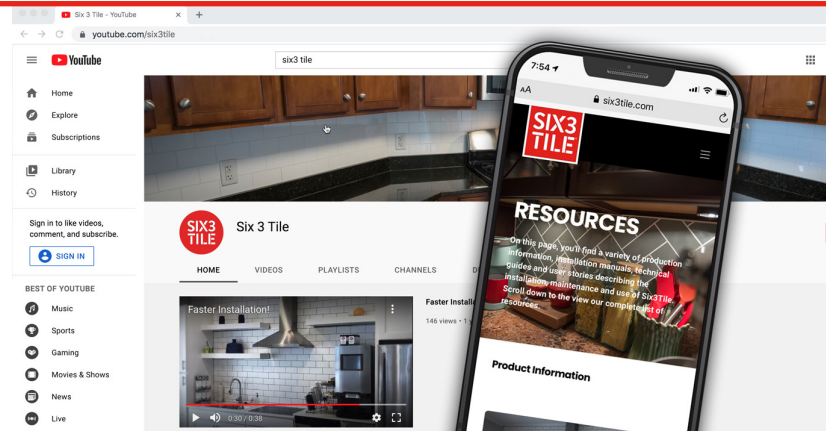


## TECHNICAL & CUSTOMER SUPPORT

We have a variety of instructional videos on our YouTube channel as well as a Resources section on our website, with downloadable installation and maintenance guides, useful tools and other technical information.

[www.YOUTUBE.com/six3tile](http://www.YOUTUBE.com/six3tile)  
[www.SIX3TILE.com/resources](http://www.SIX3TILE.com/resources)

For technical questions,  
please contact us:  
[info@six3tile.com](mailto:info@six3tile.com)



an  aleris company

[www.SIX3TILE.com](http://www.SIX3TILE.com)

119 Grace Avenue | Lancaster, South Carolina 29720



**PROUDLY MADE IN THE USA**

Six3Tile® is sourced, designed and manufactured in our South Carolina facility.