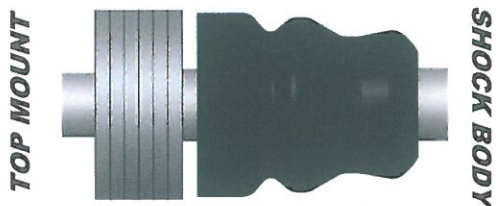


MAZDA MOTORSPORTS

By: **PENSKE**
RACING SHOCKS.

MX5 NC FRONT NON-ADJUSTABLE SHOCK, P/N: 0000-04-5291-NA



SHAFT SPACERS & BUMP RUBBER:

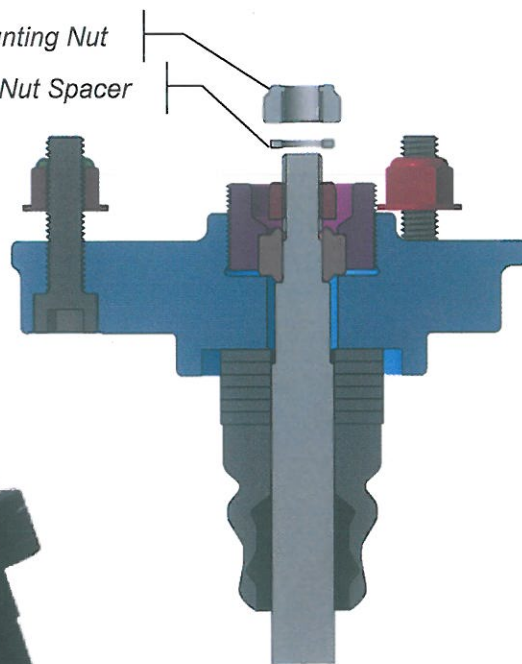
- Black plastic spacers (supplied with non-adjustable shocks) provide uniform surface for bump rubber contact - .750" total thickness
- Black Penske bump rubber - direction as shown with wide base toward spacer

BUMP RUBBER

Provides a plush cushion near the end of stroke
Prevents abrupt damper bottoming

Nyloc Mounting Nut

Mounting Nut Spacer



RIDE HEIGHT ADJUSTMENT-

Penske standard 2.5" spring hardware
Hand lockable with secondary locknut
Thread pitch: 2.5mm (0.1") of ride height
adjustment per revolution

BILLET ALUMINUM COMPONENTS

Penske Racing Shocks are always designed with performance and durability in mind – all designed components are machined, and materials are chosen to provide maximum performance in the lightest and most durable package possible

