

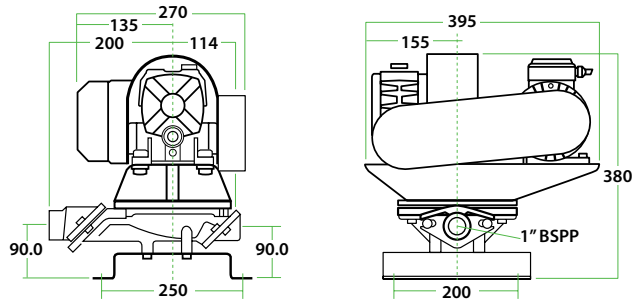
# REMKO Diaphragm Pump

Advanced design for  
smooth, efficient operation



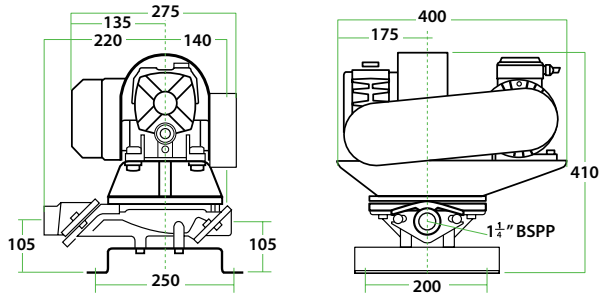
**Remko**

# RD025



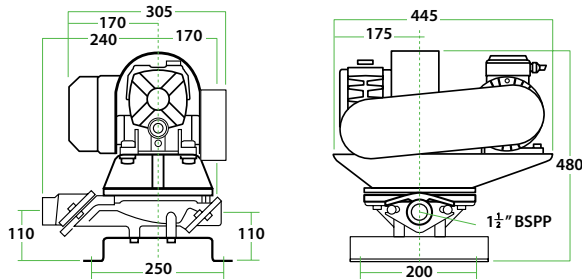
• Dimensions in mm

# RD032



• Dimensions in mm

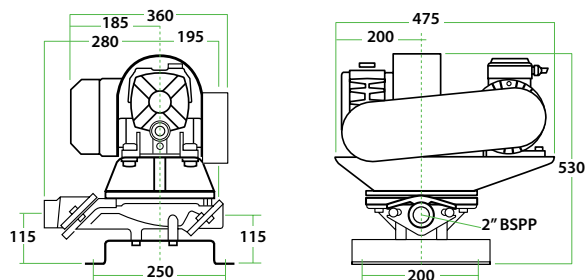
# RD038



• Dimensions in mm

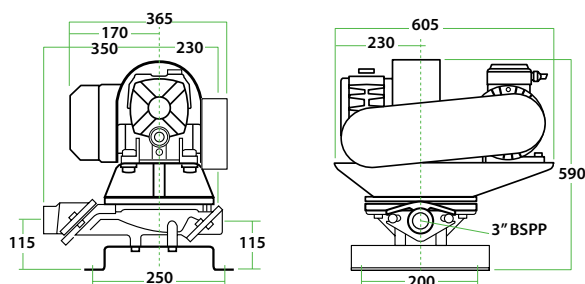


# RD050



• Dimensions in mm

# RD076



• Dimensions in mm



## FEATURES

- Suction lifts to 7.5m
- Rapid self priming
- Will run dry without damage
- Will operate on snore
- Will handle abrasive liquids
- Will pass solids up to 80% of port size
- Heavy duty, compact construction
- TEFC electric motors fitted as standard
- Special electric motor enclosures as an option

## APPLICATIONS

- Dewatering excavations
- Raw sewage
- Pool maintenance and construction
- Waste treatment plants
- Bore desludging
- Bilge pumping
- Oil / water separators
- Machine sumps
- Priming large centrifugal pumps
- Industrial wastes
- Liquid manure
- Oil skimming
- Septic tank cleaning
- Abattoirs and poultry processing
- Drum emptying
- Spillage mop ups
- Construction sites

## SPECIFICATIONS

| Model | Connections   | Nominal Flow Rate | Approximate Displacement Per Stroke | Suction Lift | Discharge Head | Solid Size | Motor Size | Weight |
|-------|---------------|-------------------|-------------------------------------|--------------|----------------|------------|------------|--------|
| RDO25 | 25mm (1")     | 16-25 L/Min       | 0.54L                               | 7.5m         | 6.0m           | 15mm       | 0.37kw     | 25kg   |
| RDO32 | 32mm (1 1/4") | 33 L/Min          | 0.85L                               | 7.5m         | 6.0m           | 20mm       | 0.37kw     | 30kg   |
| RDO38 | 38mm (1 1/2") | 50 L/Min          | 1.5L                                | 7.5m         | 6.0m           | 25mm       | 0.75kw     | 42kg   |
| RDO50 | 50mm (2")     | 100 L/Min         | 2.14L                               | 7.5m         | 6.0m           | 35mm       | 1.1kw      | 55kg   |
| RDO76 | 76mm (3")     | 210 L/Min         | 5.25L                               | 7.5m         | 6.0m           | 50mm       | 1.5kw      | 72kg   |

## MATERIALS OF CONSTRUCTION

| Component                 | Standard            | Optional                        |
|---------------------------|---------------------|---------------------------------|
| Wetted (Casing and Ports) | Aluminium           | Cast Iron / 316 Stainless Steel |
| Diaphragm                 | Buna-N (NITRILE)    | Neoprene / Viton                |
| Flap Valve / Gasket       | Buna-N (NITRILE)    | Polyurethane / Neoprene / Viton |
| Valve Seat                | 316 Stainless Steel |                                 |

## PIPE SIZE FOR DIAPHRAGM PUMPS

*For clean liquids with same viscosity as water*

| Model | Suction Length |       | Discharge Length |       |        |
|-------|----------------|-------|------------------|-------|--------|
|       | 0-6M           | 6-10M | 0-6M             | 6-15M | 15-25M |
| RDO25 | 25mm           | 32mm  | 32mm             | 40mm  | 40mm   |
| RDO32 | 32mm           | 40mm  | 40mm             | 50mm  | 50mm   |
| RDO38 | 40mm           | 50mm  | 50mm             | 65mm  | 65mm   |
| RDO50 | 50mm           | 65mm  | 65mm             | 65mm  | 80mm   |
| RDO76 | 80mm           | 80mm  | 80mm             | 80mm  | 100mm  |

## OPTIONS

### ELECTRIC

All pump sizes are available with the following electric motor options:

- 240V (Single phase)
- 415V (Three phase)
- 415V (Three phase), Ex'e'
- 415V (Three phase) Ex'd'



### PETROL / DIESEL

The RDO38, RDO50 and the RDO76 can be supplied with a petrol engine. This option enables increased portability in applications such as:

- Site dewatering
- Excavation dewatering
- Pool maintenance / construction
- Construction sites

Diesel drive pump sets are also available on request.



### CARRY FRAME

All sizes can be fitted with a carry frame.

- Construction Sites
- Mining
- Excavation Dewatering
- Waste Water Treatment
- Abattoirs
- Food Processing
- Industrial Waste

**Contact your local Remko Distributor**

**Remko 1800 333 424**