

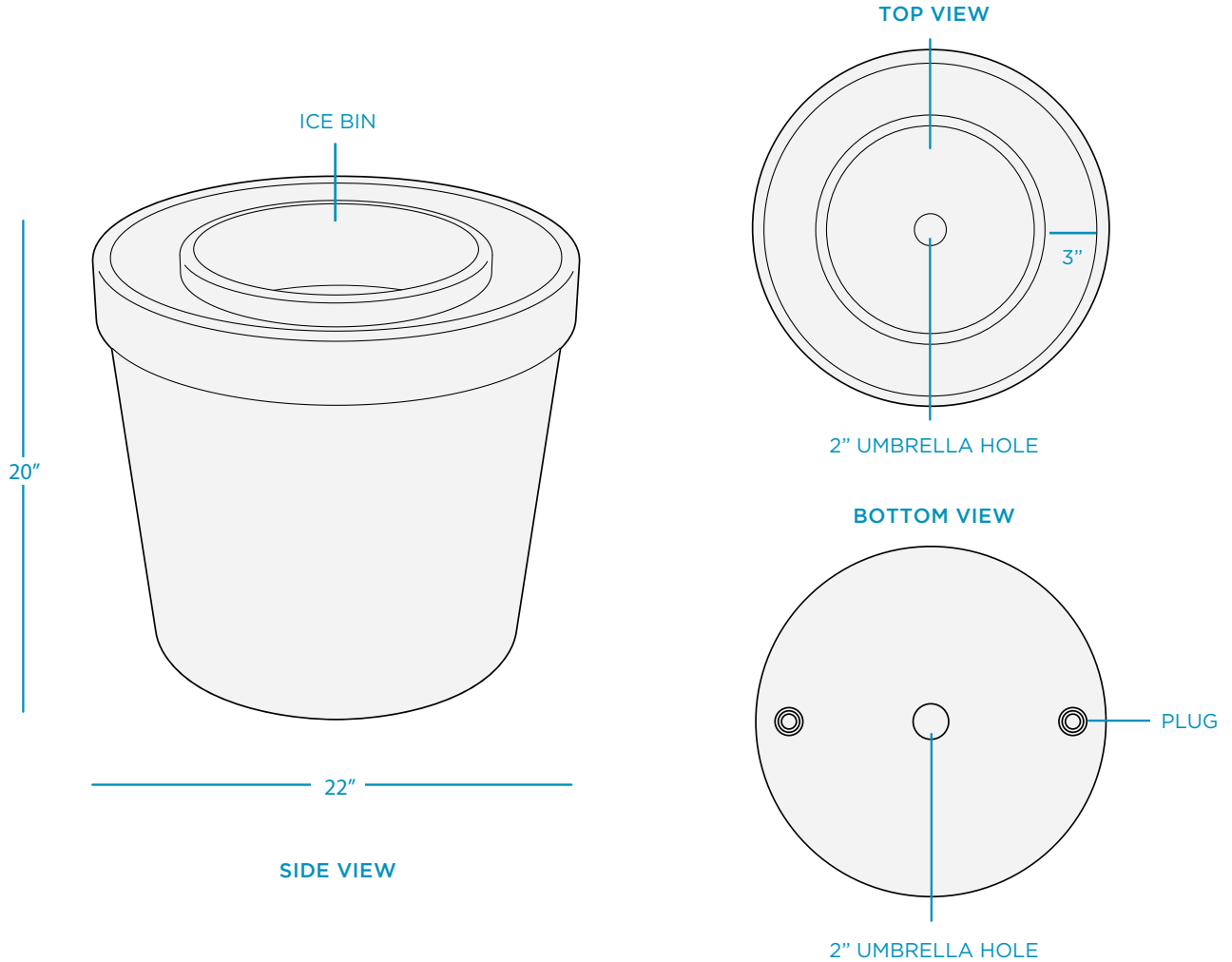
SIGNATURE

ICE BIN SIDE TABLE

SPECIFICATIONS

DESIGNED FOR USE IN UP TO 15" OF WATER

WEIGHT EMPTY: 18 LBS | WEIGHT FULL: 175 LBS



FEATURES

- Designed for up to 15 inches of water
- Perfect for residential or commercial use
- Built to withstand the sun, weather, and chemicals of any pool or outdoor environment
- Compatible with all pool types, including vinyl
- Crafted of a high-quality, UV16 rated resin, color stabilized for up to 16,000 hours of direct sunlight
- Easy application via threaded plug system
- Central ice bin holds up to 12 cans with a 360-degree drink ledge
- Features a built-in umbrella hole for up to a 2-inch pole

AVAILABLE COLORS



SIGNATURE

ICE BIN SIDE TABLE LIDS

SPECIFICATIONS

