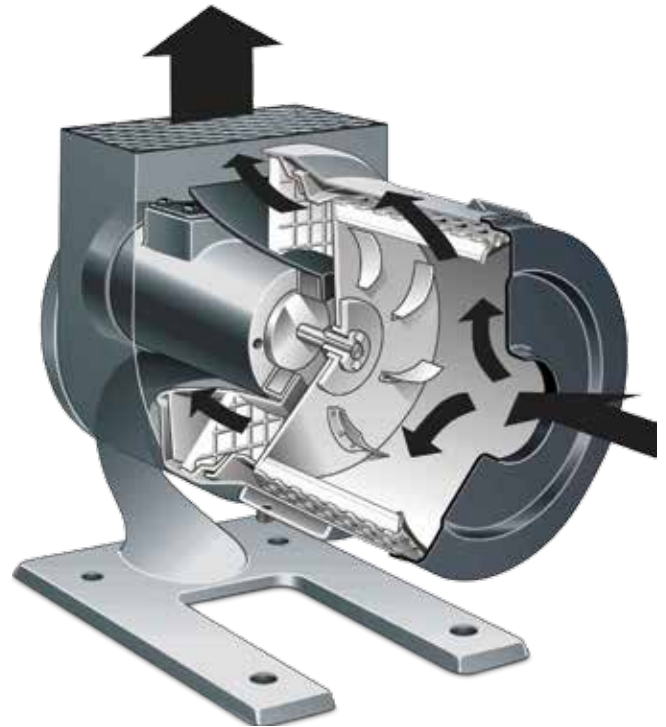


# DynaPure®

The DynaPure® is a unique self-contained filtration system for source capture of mist generated by wet machining, spraying and lubrication systems. The DynaPure® provides increased flexibility and lower maintenance than competitive designs.

Mist-laden air is drawn into the DynaPure® where a rotating drum collects and agglomerates the mist particles – including submicron particles – in its filtering element. Centrifugal force then drives these particles from the air stream.

The collected mist is drained from the DynaPure® and may be returned directly to the machine or collected for disposal. Clean air is returned to the plant atmosphere through the built-in stack discharge.



## Benefits

- Optimum performance
- Quiet operation
- Simplified installation
- Ease of maintenance
- Compact size

## Features

- Backward inclined aluminum fan
- One-piece fan/drum assembly
- Prefilter and final filter options
- Standard off-the-shelf motors

## Applications

- Metalworking
- Food processing
- Original equipment

## Sales Offices:

### Europe, Middle East & Africa

#### UK

Bassington Lane, Cramlington  
Northumberland, NE23 8AF, UK  
Tel: +44 1670 713 477  
Email: aafep@aafintl.com

#### Spain

C/ Urartea, 11  
Polígono Ali-Gobeo  
01010 Vitoria, Spain  
Tel: +34 945 214851  
Email: aafep@aafintl.com

#### France

Rue William Dian  
27620 Gasny, France  
Tel: +33 2 32 53 60 60  
Email: aafep@aafintl.com

#### Italy

Via Lario, 1  
22070 – Fenegrò (CO), Italy  
Tel: +39 031 35 25 311  
Email: aafep@aafintl.com

#### Austria

Campus 21  
Europaring F12 401  
2345 Brunn am Gebirge, Austria  
Tel: +43 (0) 2236 677 628 0  
Email: aafep@aafintl.com

#### The Netherlands

Sales Benelux  
P.O. Box 101  
7800 AC Emmen  
The Netherlands  
Tel: +31 (0) 591 66 4466  
Email: aafep@aafintl.com

#### Germany

Robert-Bosch-Str. 30-32  
64625 Bensheim  
Germany  
Tel: +49 (0) 6251 80368 0  
Email: aafep@aafintl.com

#### Greece

1, Ifaistou & Kikladon  
15354 - Glika Nera, Greece  
Tel: +30 2106632015  
Email: aafep@aafintl.com

#### Turkey

Hürriyet Mahallesi  
Yakacık D-100 Kuzey Yan Yol No: 49/1-2  
34876 Kartal, Istanbul, Turkey  
Tel: +90 216 4495164/65  
Email: aafep@aafintl.com

#### UAE

FZS1 BC01-BC04  
Jebel Ali South, P.O. Box 263120  
Dubai, UAE  
Tel: 009714 8894886  
Email: aafep@aafintl.com

#### Saudi Arabia

P.O. Box 59336 Riyadh 11525,  
Kingdom of Saudi Arabia  
Tel: +966 1 265 0883  
Email: aafep@aafintl.com

### Americas

#### USA

9920 Corporate Campus Drive  
Suite 2200  
Louisville, KY 40223-5000, USA  
Tel: 1 502 637 0011  
Toll Free: 1 800 477 1214  
Email: aafep@aafintl.com

#### México

Av. Primero de Mayo No. 85,  
Col. San Andrés Atenco,  
C.P. 54040 Tlalnepantla  
EDO De Mexico, México  
Tel: +52 55 5565 5200  
Email: aafep@aafintl.com

#### Brasil

Rua Dr. Bacelar, 173-12º andar-cj.121  
Vila Clementino-CEP 04026-000  
São Paulo-SP  
Tel: +55 11 5567 3000  
Email: aafep@aafintl.com

### Asia Pacific

#### China (Suzhou)

Ruisu Science and Technology Park  
2 Kecheng Road  
SIP  
Suzhou  
Jiangsu Province  
China 215100  
Tel: +86 512 62385973  
Email: aafep@aafintl.com

#### China (Tianjin)

Jinta Building, Unit 1  
162 Zhangzizhong Road  
Heping District  
Tianjin  
China 300041  
Tel: +86 22 58630245  
Email: aafep@aafintl.com

#### China (Wuhan)

33 Che Cheng Road  
Wuhan Economic & Technological  
Development Zone  
Wuhan, Hubei Province PR,  
China 430056  
Tel: +86 27 8447 3671 +86 27 8447 3672  
Email: aafep@aafintl.com

#### Malaysia

Lot 6, Jalan Pengapit, 15/19,  
Seksyen 15  
40000 Shah Alam Selangor Darul Ehsan  
Malaysia  
Tel: +60 3 5039 7777  
Email: aafep@aafintl.com

#### Australia

2 Arctic Court  
Keysborough Victoria 3173  
Australia  
Tel: +61 3 9701 5251  
Email: aafep@aafintl.com

[www.aafintl.com](http://www.aafintl.com)

The information in this document is the property of American Air Filter Company, Inc. and its affiliated companies (collectively, "AAFCL") and may not be copied or distributed to any third party, or used for any purpose other than that for which it is supplied, without the express written consent of AAFCL.

While the information herein is provided in good faith based on information available when the document was created, it should not be relied upon as being complete or accurate, and the products advertised within this document, and their components and accessories, are subject to change without notice. AAFCL provides this information on an AS IS basis and makes no warranties, expressed or implied, or representations regarding same. This document does not establish, and should not be taken as establishing, and contractual or other commitment binding upon AAFCL or any of its subsidiaries or associated companies.

ISO Certified Firm ©2016 AAF International  
APC-1-227B



BETTER AIR IS OUR BUSINESS®



ENVIRONMENTAL  
SOLUTIONS