

# SEE FACTOR CT<sup>3</sup>



## Specifications

### Dimensions

Length: 88 inches | Width: 35.7 inches | Height: 71 inches  
Weight: 1689.47 lbs

### Electrical

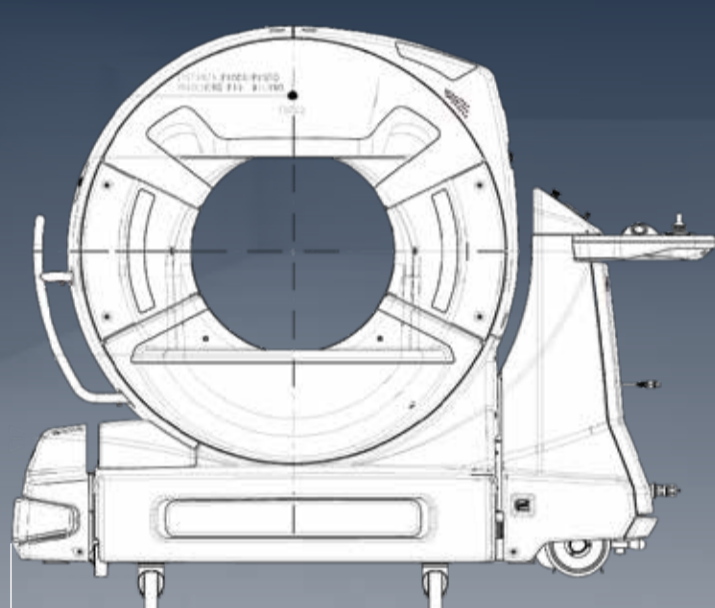
Gantry: 230V, 30amp, Single Phase

### Radiation

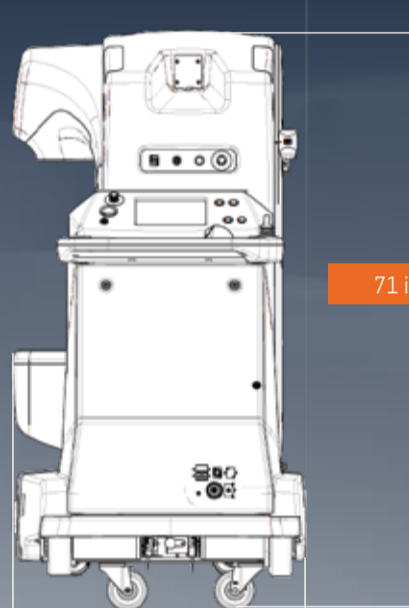
Utilizing EPICA's proprietary MICRO-RAD technology which focuses on beam filtration and pulsed imaging, SeeFactor CT3 delivers 25-75% less radiation when compared to conventional CT.

### Bore Diameter

Bore Diameter: 625mm (62.5cm) (24.6in)



88 inches



71 inches

35.7 inches

### Mobile

A motorized wheel platform with a camera allows one technician to easily maneuver the imaging wheel platform through hallways, standard-sized doors, and into elevators.

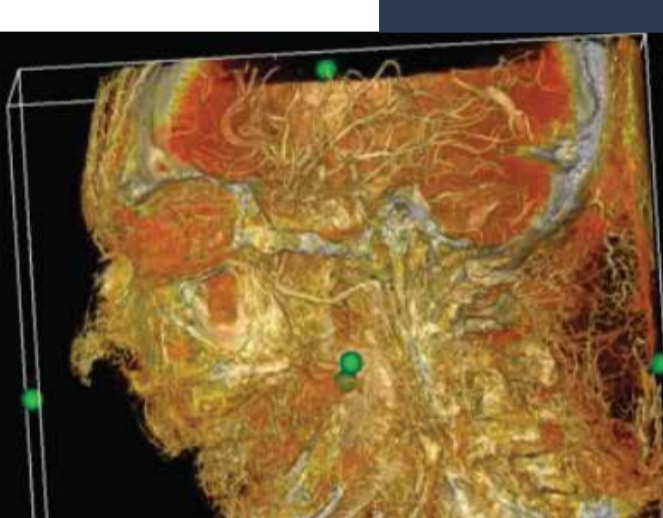
### Compact

The asymmetrical design and compact form factor allow SeeFactor CT3 to turn almost any space into an imaging room.

### Flexible & Efficient

Detector and source reside outside of the bore allowing for additional imaging, patient comfort, and interventional workspace. Self-indexing capable and equipped with an on-board swiveling console. Capable of providing both hard and soft tissue diagnostic images in 2D & 3D with resolution as high as 100 microns.

## Design



### HDVI

HDVI (CT) Field of View: Up to 35 cm radius x 1.08 m length  
HDVI (CT) Resolution: 0.1 mm – 0.6 mm in 3 dimensions with true isotropic voxels  
HDVI (CT) single non-interpolated data set DICOM output – no need for reprocessing

### Fluoroscopy

Fluoroscopy (full-featured): 1-30 fps, high resolution with auto-brightness, 3-dimensional orientation adjustment, DSA, Road-mapping, Tip-Tracking, Auto-Collimation

### Digital Radiography

Digital Radiography: Scan Speed: 4-24 seconds for first 15 cm, +13-30 seconds for each additional 15 cm

## Multi-Modalities

Diagnostic & Interventional

### CORPORATE HEADQUARTERS

Address: 1875 East Main Street Spark,  
Warehouse 92 Duncan, SC 29334

### WESTERN REGIONAL BUSINESS OFFICES

Address: 901 Calle Amanecer,  
Suite 150 San Clemente, CA 92673  
Phone: +1.855.993.7422  
Fax: +1.949.238.6322  
Website: EpicaHumanHealth.com

### IMAGINALIS S.R.L HEADQUARTERS (EPICA SUBSIDIARY)

Address: Via Morandi, 13-15  
Sesto Fiorentino (FI) – ITALY  
CAP 50019  
Email: info@imaginalis.it  
Email: service@imaginalis.it  
Phone: (+39) 055 0463727

epica  
HUMAN HEALTH