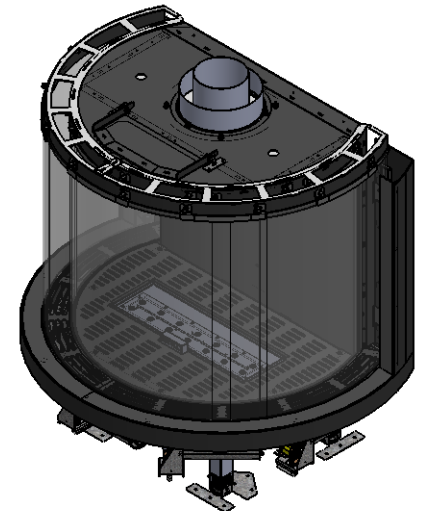
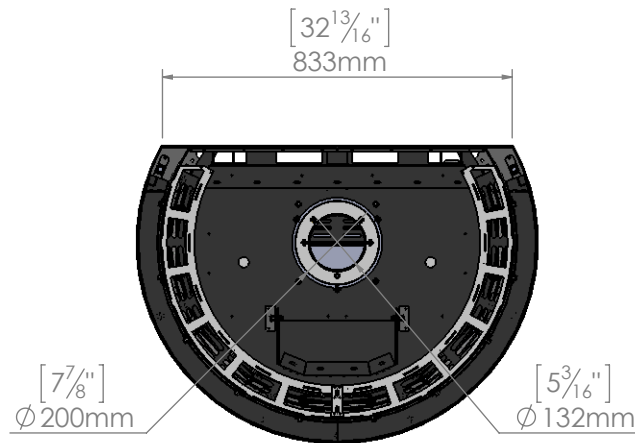
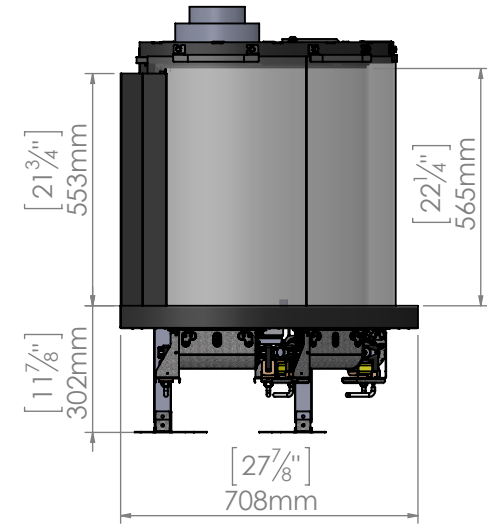
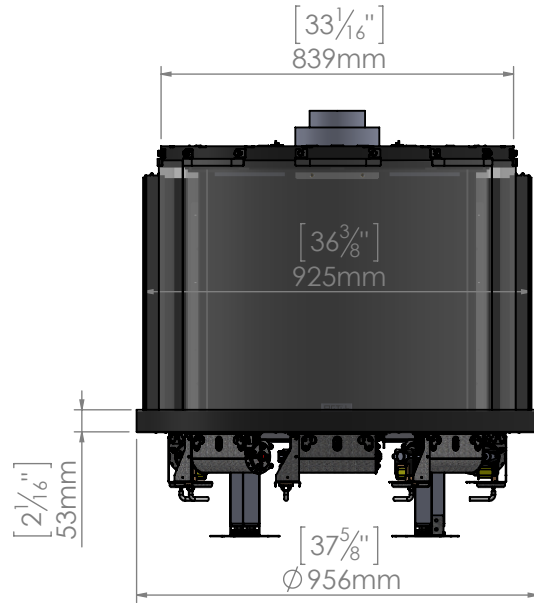


Stand Alone

6575 Curve

Double Glass

No Base  
No TOP



**Please Note:**

Order No.(fill in by Ortal): \_\_\_\_\_

Customer Signature: \_\_\_\_\_ Date: \_\_\_\_\_

Marketing Representative Signature: \_\_\_\_\_ Date: \_\_\_\_\_