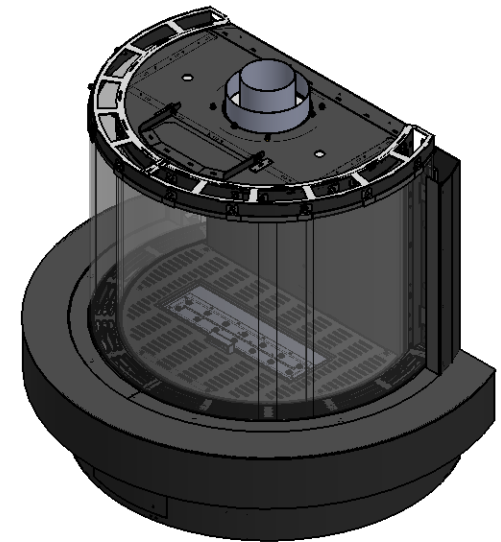
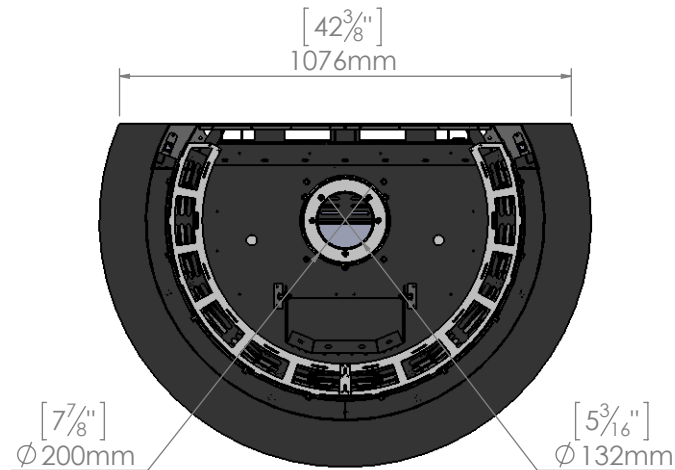
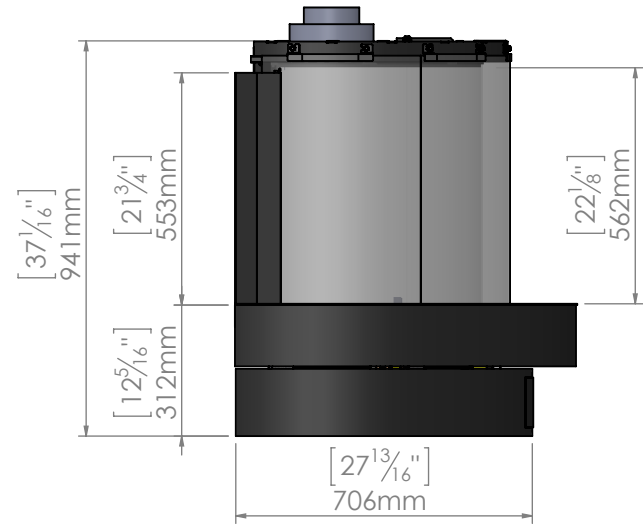
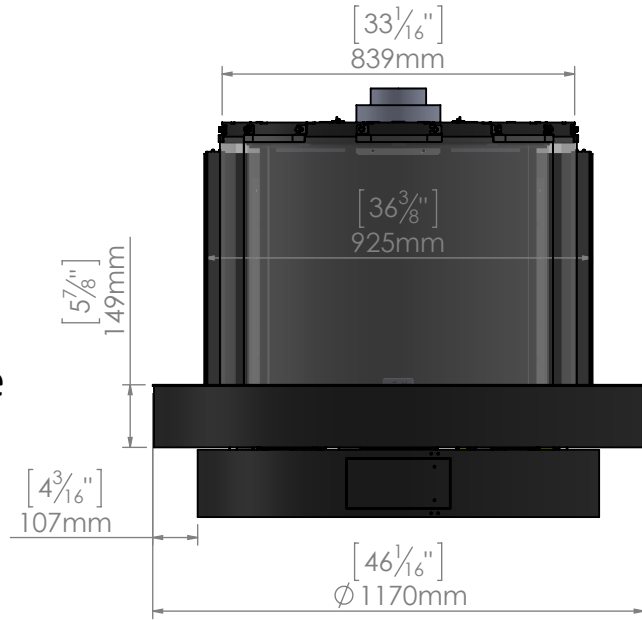


## Stand Alone 6575 Curve

Double Glass

Double level base  
No Top



### Please Note:

Order No.(fill in by Ortal): \_\_\_\_\_

Customer Signature: \_\_\_\_\_ Date: \_\_\_\_\_

Marketing Representative Signature: \_\_\_\_\_ Date: \_\_\_\_\_