

For Lumber, Pipe, Ring Shaped Objects



AQ-7RS

AQ-7RS



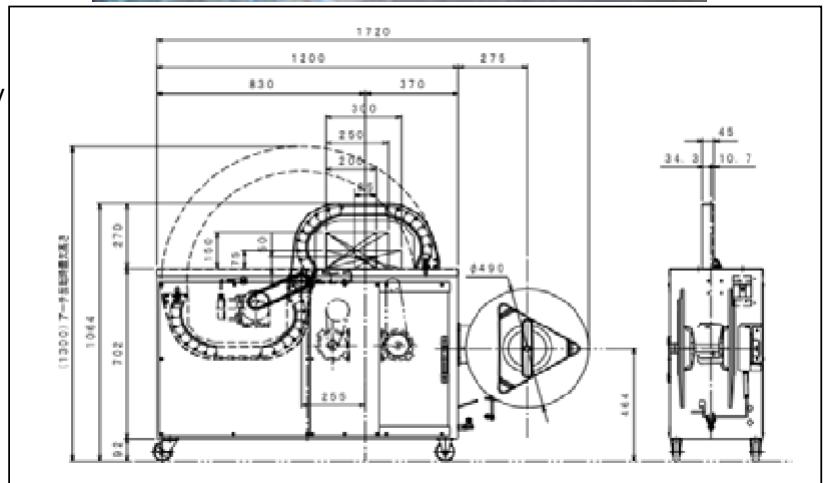
For Lumber, Pipe, Ring-Shaped Objects

The AQ-7RS is specially designed for the strapping of long objects such as pipes, lumber or ring-shaped objects such as coils and tires. The arch rotates 90 degrees and is stored inside the body after cycle completion.



■ Features

- Feed completion detected by Slide Table Switch
- Cycle Start and Completion Signals
- Strap size of 9mm to 15.5mm
- Tension Adjustable up to 70kg
- Strap tension remains consistent even in dusty environment
- 4.5 seconds/strap cycle
- Quick Warm Up Heater
- Oil Free Mechanism
- New Rotating Arch System
- Self Diagnostic Electronic Control
- Reel Unit on Left or Right Side (Optional)



■ Standard Specifications

Standard Arch Size		W 300 x H 200 mm	W 12 X H 8 in.
Dimension	Width	1720 mm	67-3/4 in.
	Height	1064 mm	41-7/8 in.
	Depth	374 mm	14-3/4 in.
	Weight	250 kg	555 lbs.
Table Height		794 mm	31-1/4 in.
Max. Package Size		W 250 X H 150, W 300 X H 75 mm	W 10 X H 6, W 11 - 3/4 X H 3 in.
Min. Package Size		W 85 X H 50 mm	W 3-3/8 X H 2 in.
Joint / Strap/ Coil		heat seal / polypropylene ID 200 or 230 X W 200 mm	heat seal / polypropylene 8 X 8 or 9 X 8 in.
Strap Width / Thickness		9,12 (15.5) mm	3/8,1/2 (5/8) in.
Strap Tension		Max. 686 N (70 kgf)	Max. 155 lbsf.
Power Supply		200-240 , 300-480 V 3 Phase 50 / 60 Hz 0.95 KVA	

Dimensions and specifications are subject to change without notice.

DISTRIBUTED BY:

FROMM PACKAGING SYSTEMS CANADA
 6-676, MONARCH AVE, AJAX, ON, L1S4S2
sales@frommpackaging.ca | 905-428-3444