

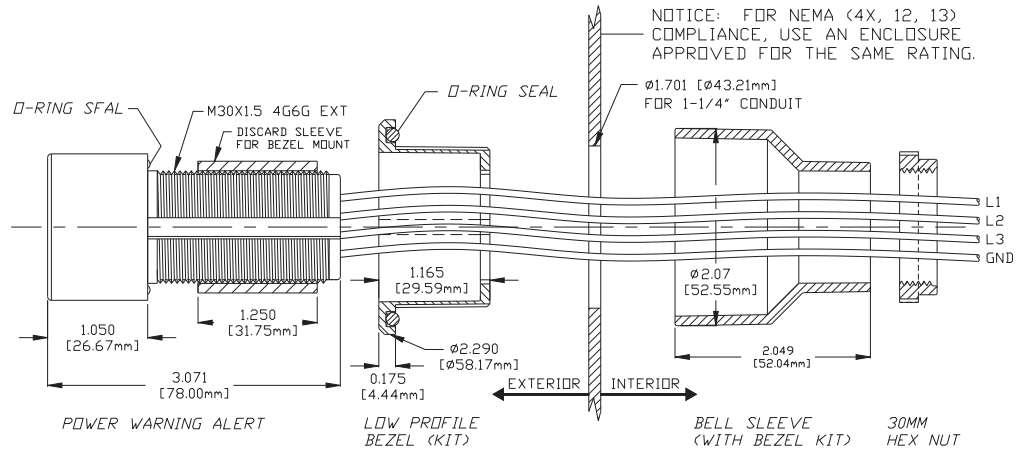
R-3W SERIES BEZEL INSTALLATION GUIDE

MOUNTING KIT INCLUDES:

- Low-Profile Bezel
- Bell Sleeve
- Neoprene O-Ring

INSTALLATION

The mounting surface must be clean and smooth. Tighten the Hex nut until the outside ledge of the Bezel seats against the mounting surface so the o-ring is fully compressed. Do not overtighten.



Warning: Verify an electrical conductor has been de-energized using an adequately rated test instrument before working on it. Follow appropriate Energy Control (Lockout/Tagout) procedures as per OSHA Subpart S. **GracePort®** is a registered Trademark of Grace Technologies, Inc. © Grace Technologies, Inc. All rights reserved. Specifications are subject to change with/without notice.

SS-R3WBEZEL-IG-EN 1404

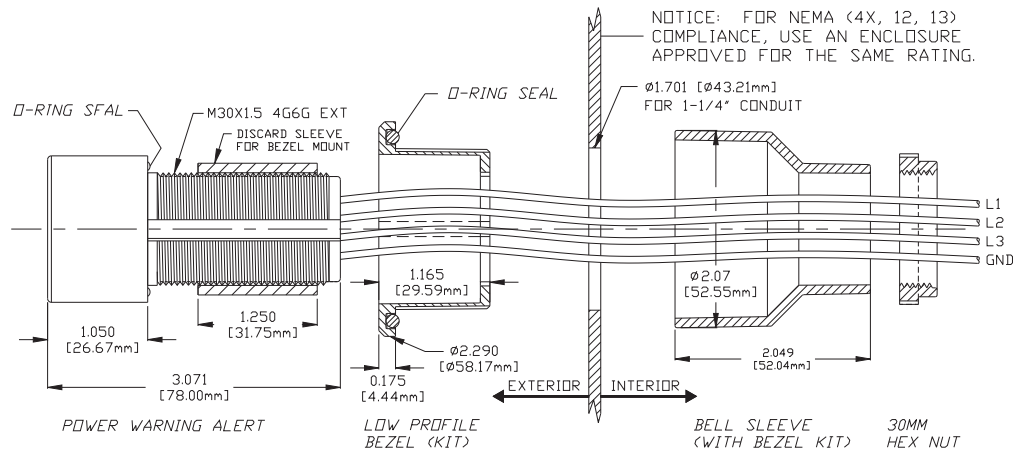
R-3W SERIES BEZEL INSTALLATION GUIDE

MOUNTING KIT INCLUDES:

- Low-Profile Bezel
- Bell Sleeve
- Neoprene O-Ring

INSTALLATION

The mounting surface must be clean and smooth. Tighten the Hex nut until the outside ledge of the Bezel seats against the mounting surface so the o-ring is fully compressed. Do not overtighten.



Warning: Verify an electrical conductor has been de-energized using an adequately rated test instrument before working on it. Follow appropriate Energy Control (Lockout/Tagout) procedures as per OSHA Subpart S. **GracePort®** is a registered Trademark of Grace Technologies, Inc. © Grace Technologies, Inc. All rights reserved. Specifications are subject to change with/without notice.

SS-R3WBEZEL-IG-EN 1404