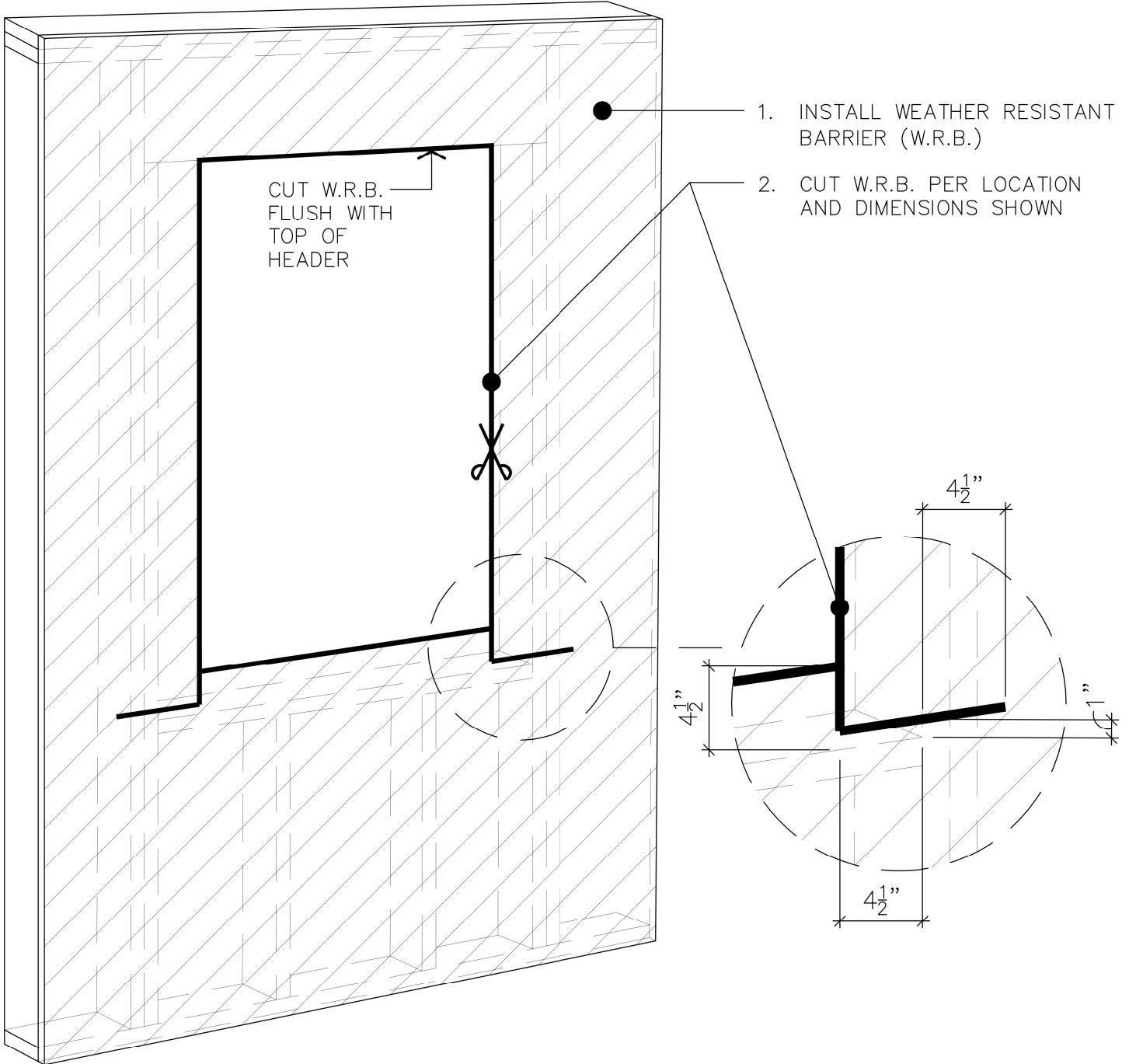




SiILDry

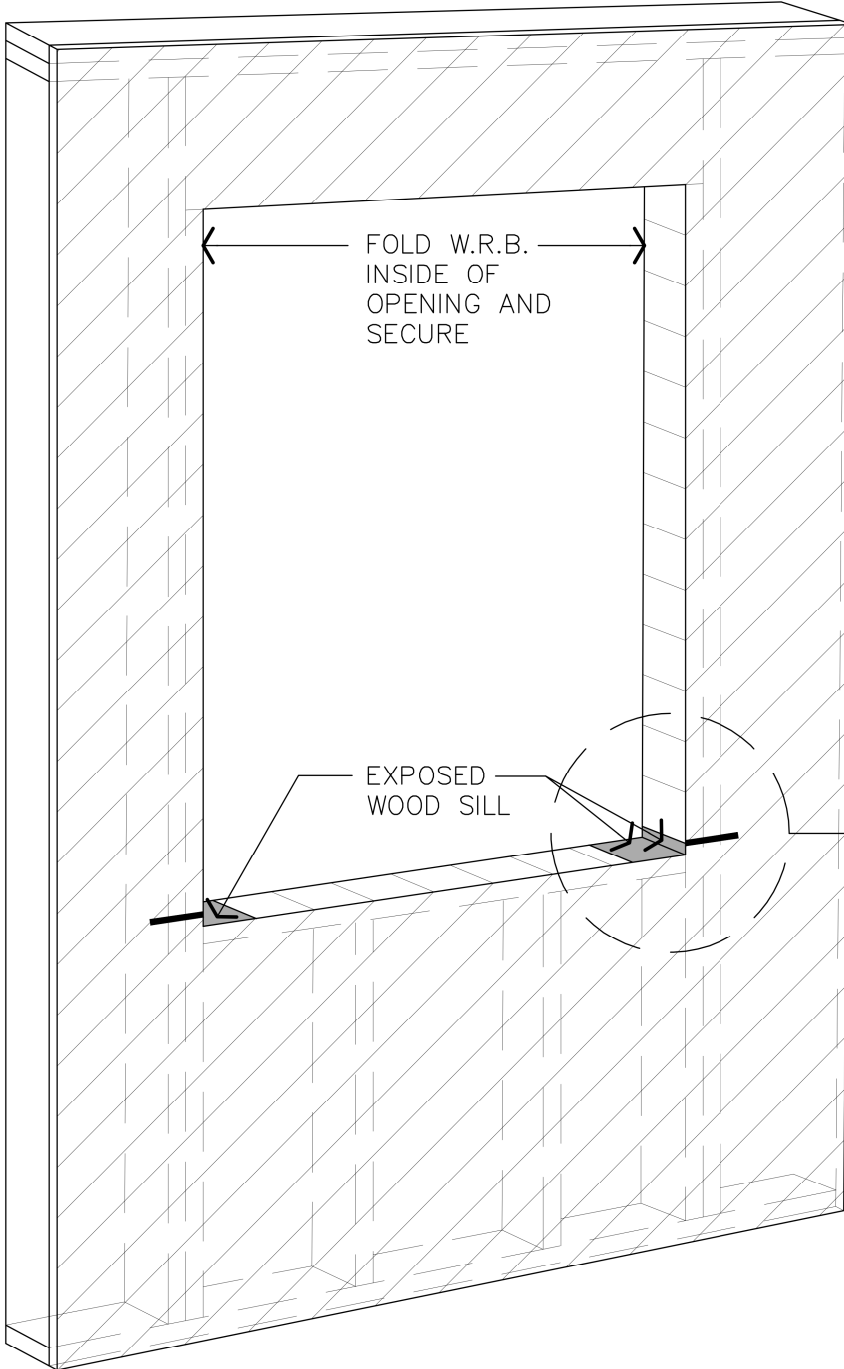
INSTALLATION INSTRUCTIONS - STEP 1





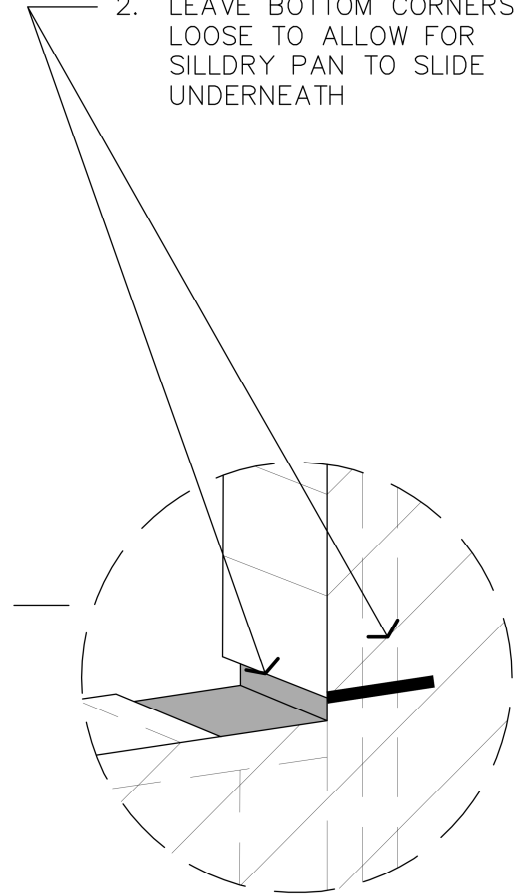
SiILDry

INSTALLATION INSTRUCTIONS - STEP 2



1. FOLD W.R.B. INSIDE AT SIDES AND SILL AND SECURE

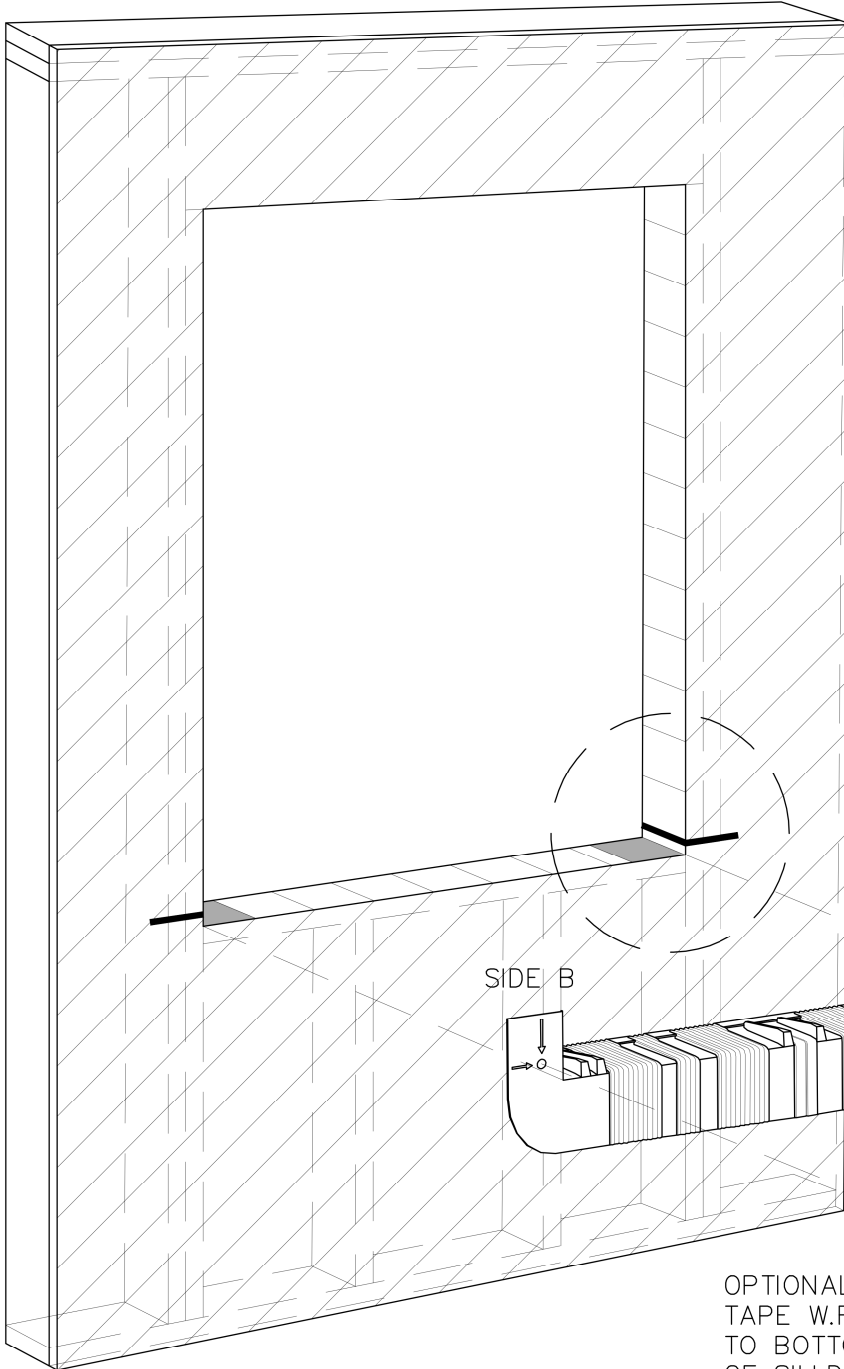
2. LEAVE BOTTOM CORNERS LOOSE TO ALLOW FOR SiILDry PAN TO SLIDE UNDERNEATH



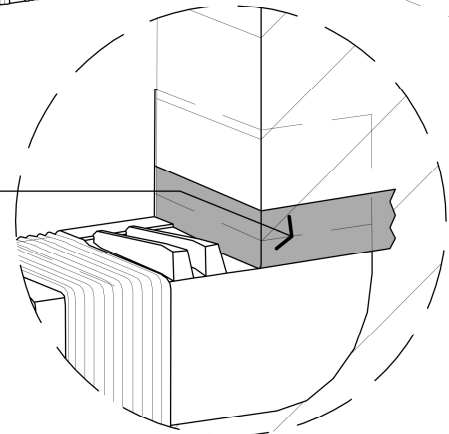
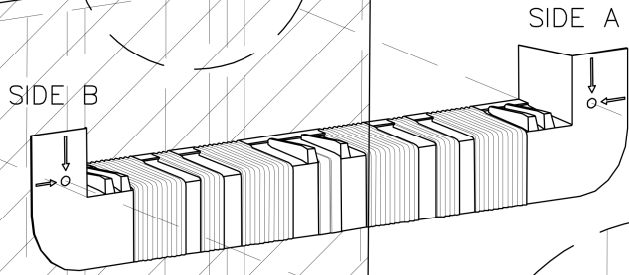
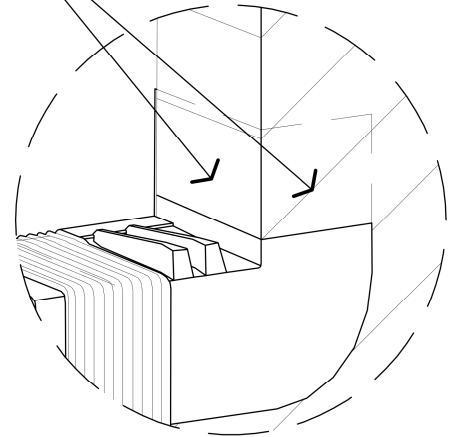


SiILDry®

INSTALLATION INSTRUCTIONS - STEP 3



1. SLIDE SiILDry PAN UNDER BOTH SIDES OF W.R.B. AT EACH SILL CORNER
2. SECURE SIDE A FIRST THEN STRETCH SIDE B AND SECURE



OPTIONAL:
TAPE W.R.B.
TO BOTTOM
OF SiILDry
PAN AS
SHOWN ON
BOTH SIDES



SillDRY®

INSTALLATION INSTRUCTIONS - STEP 4

1. APPLY A CONTINUOUS BEAD OF HIGH GRADE SILICONE AROUND TOP AND 2 LEGS OF WINDOW FLANGE
2. INSTALL WINDOW PER MANUFACTURER'S INSTALLATION SPECIFICATIONS (NEVER SECURE THROUGH ACCORDION SECTIONS)
3. INSTALL HEAVY BEAD OF SEALANT "NPC SOLAR SEAL 900" OR "OSI QUAD" BENEATH BOTTOM FLANGE OF SILLDRY DURING WINDOW INSTALLATION TO PREVENT AIR INFILTRATION

