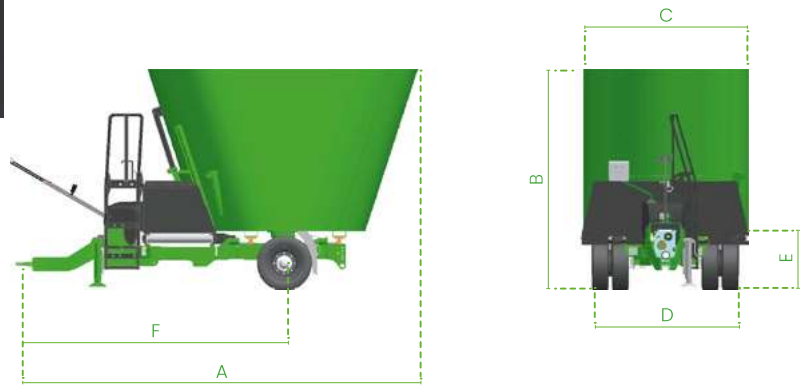
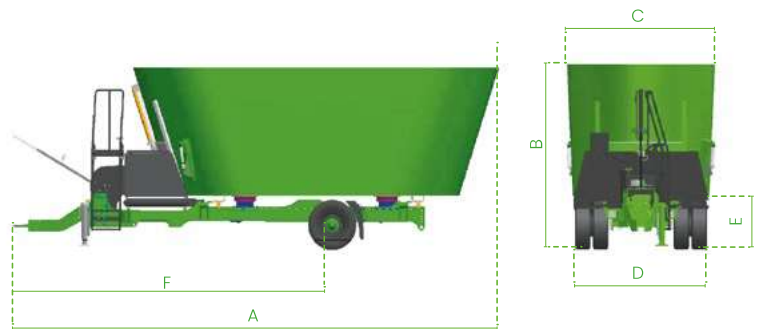


TRAILED PF 1



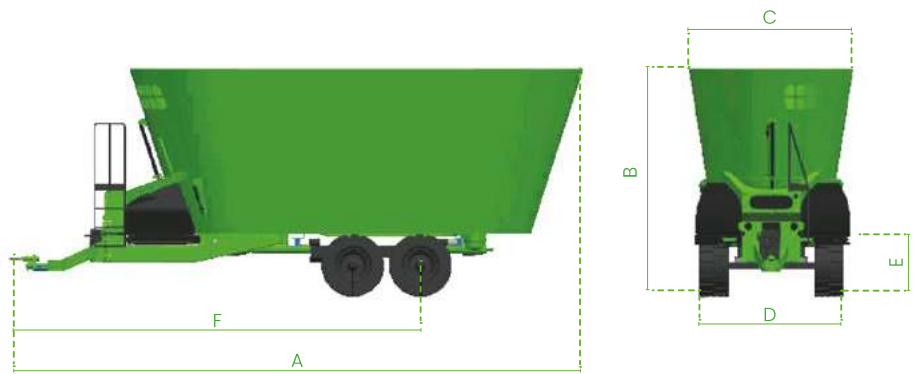
PF 1		1.9	1.11	1.13A	1.13B	1.15	1.17
CAPACITY	m ³	9	11	13	13	15	17
UNLADEN WEIGHT	kg	3150	3850	4550	4550	5250	5950
MAXIMUM CAPACITY AT 8 KM/H	kg	2700	3550	4200	4200	4850	5450
POWER TAKE-OFF	rpm	540	540	540	540	540	540
REQUIRED POWER	kW/hp	45 - 61	51 - 70	56 - 77	62 - 85	62 - 85	66 - 90
[A] TOTAL LENGTH	mm	5340	5440	5540	5440	5680	5750
[B] HEIGHT	mm	2535	2765	3080	2826	3025	3225
[C] WIDTH	mm	2300	2300	2300	2500	2500	2500
[D] OUTSIDE WHEELS	mm	2030	2030	2030	2030	2030	2030
[E] UNLOADING HEIGHT	mm	790	790	790	790	790	790
[F] DRAWBAR AXLE LENGTH	mm	3960	3960	3960	3960	4070	4070
MAX. UNIT NUMBER	qnt	46 - 65	55 - 85	70 - 100	70 - 100	80 - 116	90 - 130

TRAILED PF 2 PLUS



PF2		2.12	2.14	2.16	2.16B	2.18	2.18B	2.20	2.20B	2.22	2.24	2.26	2.30
CAPACITY	m ³	12	14	16	16	18	18	20	20	22	24	26	30
UNLADEN WEIGHT	kg	5900	6000	6200	6700	7000	7000	7200	7200	7500	8200	8500	10000
MAXIMUM CAPACITY AT 8 KM/H	kg	4200	4900	5600	5600	6300	6300	7000	7000	7700	8400	9100	10500
POWER TAKE-OFF	rpm	540	540	540	540	540	540	540	540	540	540	540	540
REQUIRED POWER	kW/hp	50 - 68	50 - 68	55 - 75	55 - 75	60 - 81	60 - 81	66 - 90	66 - 90	66 - 90	72 - 98	74 - 100	100 - 136
[A] TOTAL LENGTH	mm	6830	6900	6940	7300	7345	7630	7420	7680	7480	7820	7866	7960
[B] HEIGHT	mm	2455	2665	2885	2630	2755	2600	2995	2755	3170	3000	3145	3435
[C] WIDTH	mm	2200	2200	2200	2300	2300	2300	2300	2300	2300	2550	2550	2550
[D] OUTSIDE WHEELS	mm	2030	2030	2030	2030	2030	2030	2030	2030	2030	2030	2030	2230
[E] UNLOADING HEIGHT	mm	790	790	790	790	790	790	790	790	790	800	800	800
[F] DRAWBAR AXLE LENGTH	mm	4595	4595	4595	4820	4820	4820	4820	4590	4820	4590	4590	4590
MAX. UNIT NUMBER	qnt	60 - 95	70 - 110	80 - 125	80 - 125	95 - 140	95 - 140	105 - 155	105 - 155	115 - 170	125 - 185	135 - 205	160 - 230

TRAILED PF 3 PLUS



PF3		3.30	3.36	3.40	3.46
CAPACITY	m ³	30	36	40	46
UNLADEN WEIGHT	kg	11960	14450	15650	15800
MAXIMUM CAPACITY AT 8 KM/H	kg	10500	12600	14000	16100
POWER TAKE-OFF	rpm	540	540	540	540
REQUIRED POWER	kW/hp	100 - 136	110 - 150	132 - 180	150 - 204
[A] TOTAL LENGTH	mm	10100	10215	10400	10500
[B] HEIGHT	mm	3020	3230	3210	3395
[C] WIDTH	mm	2400	2400	2550	2550
[D] OUTSIDE WHEELS	mm	2230	2230	2230	2230
[E] UNLOADING HEIGHT	mm	1000	1000	1000	1000
[F] DRAWBAR AXLE LENGTH	mm	5300	5300	5300	5300
MAX. UNIT NUMBER	qnt	155 - 230	190 - 280	210 - 320	245 - 365

RAMBO



RAMBO		500	700	900	1050
CAPACITY	m ³	5	7	9	10,5
UNLADEN WEIGHT	kg	1720	2400	2600	3000
MAXIMUM CAPACITY AT 8 KM/H	kg	1750	2450	3150	3675
POWER TAKE-OFF	rpm	540	540	540	540
REQUIRED POWER	kW/hp	37 - 50	37 - 50	37 - 50	51 - 70
[A] TOTAL LENGTH	mm	3750	4250	4350	4430
[B] HEIGHT	mm	2050	2370	2620	2680
[C] WIDTH	mm	2200	2200	2200	2350
[D] OUTSIDE WHEELS	mm	1500	1770	1770	1770
[E] UNLOADING HEIGHT	mm	430	790	790	790
[F] DRAWBAR AXLE LENGTH	mm	3410	3160	3160	3160
MAX. UNIT NUMBER	qnt	15-25	35-50	45-65	55-80