

# 1 VERTICAL GRILLES

In all gs unit heaters, except those equipped with a centrifugal fan, the direction of air flow is vertically adjustable using the louvers of the movable grille.

Horizontal air flow adjustment is possible using the vertical grilles available as an optional.



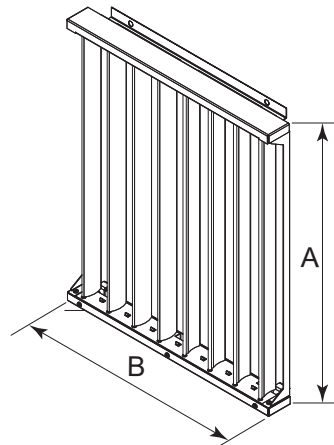
Table 1.1 *p. 1* shows the vertical grilles currently available as an optional and shows their use according to the gas unit heaters in and out of production.

**Table 1.1** Vertical grilles

Models in production	Vertical grilles								
	OGRG002	OGRG000	OGRG001	OGRG004	012417119	012418269	OGRV010	012417139	012418319
G30	•	-	-	-	-	-	-	-	-
G45	-	•	-	-	-	-	-	-	-
G60	-	-	•	-	-	-	-	-	-
G100	-	-	-	•	-	-	-	-	-
K32	•	-	-	-	-	-	-	-	-
K45	-	•	-	-	-	-	-	-	-
K60	-	-	•	-	-	-	-	-	-
K100	-	-	-	•	-	-	-	-	-
R15	-	-	-	-	-	-	-	-	-
R20	-	-	-	-	-	-	-	-	-
R30	-	-	-	-	-	-	-	-	-
R40	-	-	-	-	-	-	-	-	-
R50	-	-	-	-	-	-	-	-	-
R60	-	-	-	-	-	-	-	-	-
R80	-	-	-	-	-	-	-	-	-
M20	-	-	-	-	•	-	-	-	-
M25	-	-	-	-	-	-	-	-	-
M30	-	-	-	-	-	•	-	-	-
M35	-	-	-	-	-	-	•	-	-
M40	-	-	-	-	-	-	-	•	-
M50	-	-	-	-	-	-	-	-	•
M60	-	-	-	-	-	-	-	-	•
<b>Models out of production</b>									
B 15	-	-	-	-	-	-	-	-	-
F2 60	-	-	•	-	-	-	-	-	-
F2 80	-	-	-	-	-	-	-	-	-
F2 100	-	-	-	•	-	-	-	-	-
F1 21	-	-	-	-	•	-	-	-	-
F1 31	-	-	-	-	-	-	-	-	-
F 20	-	-	-	-	-	-	-	-	-
F 30	-	-	-	-	-	-	-	-	-
F1 36	-	-	-	-	-	•	-	-	-
F1 41	-	-	-	-	-	-	-	-	-
F 40	-	-	-	-	-	-	-	-	-
F1 51	-	-	-	-	-	-	•	-	-
F1 61	-	-	-	-	-	-	-	•	-
F 60	-	-	-	-	-	-	-	-	-
F1 81	-	-	-	-	-	-	-	-	•
F 80	-	-	-	-	-	-	-	-	-
E 32	-	-	-	-	-	-	-	-	-
E 42	-	-	-	-	-	-	-	-	-
E 43	-	-	-	-	-	-	-	-	-
E 52	-	-	-	-	-	-	-	-	-
E 72	-	-	-	-	-	-	-	-	-
GR1 15	-	-	-	-	•	-	-	-	-
GR1 20	-	-	-	-	-	-	-	-	-
GR1 30	-	-	-	-	-	-	-	-	-
GR1 40	-	-	-	-	-	•	-	-	-
GR1 60	-	-	-	-	-	-	-	•	-
GR1 80	-	-	-	-	-	-	-	-	•

- Applicable
- Not applicable

**Figure 1.1** Vertical grille



**Table 1.2** Vertical grilles

Code	Figure	A	B	Louvres
OGRG002	1.1 p. 2	556	460	8
OGRG000			510	9
OGRG001			560	10
OGRG004			1070	19
O12417119		450	460	8
O12418269			560	10
OGVR010			710	12
O12417139			920	16
O12418319			1120	20