



DISPOSITION BULLETIN 1362

February 11, 2022

NOTICE OF DISPOSITION – DOCKET 2022-1

This notice reflects proposed amendments discussed by the Freight Classification Development Council (FCDC) at the public meeting on February 8, 2022, and the action of the FCDC on each proposal.

Dispositions resulting in amendments to the National Motor Freight Classification® (NMFC®) will be published in a supplement to the NMFC. The supplement is scheduled to be issued on March 10, 2022, with an effective date of April 9, 2022.

Information on the FCDC and its procedures for amending the NMFC may be obtained online at **www.nmfta.org**. Go to "NMFC" on the navigation bar. If you do not have Internet access, or if you need assistance, please contact me at 703-838-1826 or ringer@nmfta.org.

Please reference the docket and subject numbers on all correspondence.

FREIGHT CLASSIFICATION DEVELOPMENT COUNCIL

Joel L. Ringer
Chairman

SUBJECT 1 — DOCKET 2022-1 — APPROVED AS DOCKETED

Item	Description	Class
	COOKWARE GROUP: subject to item 52860	
⇒52880 (NEW)	Cookware or Bakeware , metal, NOI, with or without components or accessories of same or other materials, see Note, item 52881, in boxes or crates, subject to Item 170 and having a density in pounds per cubic foot of:	
Sub 1	Less than 1	400
Sub 2	1 but less than 2	300
Sub 3	2 but less than 4	250
Sub 4	4 but less than 6	175
Sub 5	6 but less than 8	125
Sub 6	8 but less than 10	100
Sub 7	10 but less than 12	92.5
Sub 8	12 but less than 15	85
Sub 9	15 but less than 22.5	70
Sub 10	22.5 but less than 30	65
Sub 11	30 or greater	60
⇒52881 (NEW)	NOTE—Covers or other accessories may be in same or separate packages.	
52890	Cookware , cast iron, etc	⇒Cancel; see item 52880
52895	Cookware or Bakeware , aluminum, NOI, etc	⇒Cancel; see item 52880
52896	NOTE—⇒Cancel; no further application.	
52900	Cookware or Bakeware , sheet steel, NOI, etc	⇒Cancel; see item 52880
52901	NOTE—⇒Cancel; see item 52881.	
52902	NOTE—⇒Cancel; no further application.	

Contact: Ashley L. Gencarelli Telephone — (703) 838-1809 gencarelli@nmfta.org

THIS SPACE INTENTIONALLY LEFT BLANK

SUBJECT 2 — DOCKET 2022-1 — APPROVED AS DOCKETED

Item	Description	Class
	PLASTIC MATERIALS, OTHER THAN EXPANDED, GROUP: subject to item 156100	
⇒156300	Sheet or Plate , NOI, self-supporting (rigid), other than with formed interior cells, cavities or flutes, see Note, item 156302, other than in rolls or coils, in boxes, crates or Packages 2187 or 2542, or on lift truck skids, pallets or platforms, see Note, item 156305:	
Sub 1	Greatest dimension exceeding 192 inches, subject to Item 170 and having a density in pounds per cubic foot of:	
Sub 2	Less than 10	250
Sub 3	10 but less than 20	100
Sub 4	20 or greater	77.5
Sub 5	Greatest dimension exceeding 96 inches but not exceeding 192 inches, subject to Item 170 and having a density in pounds per cubic foot of:	
Sub 6	Less than 10	200
Sub 7	10 but less than 20	92.5
Sub 8	20 or greater	70
Sub 9	Greatest dimension not exceeding 96 inches, subject to Item 170 and having a density in pounds per cubic foot of:	
Sub 10	Less than 10	175
Sub 11	10 but less than 20	85
Sub 12	20 or greater	65
156302	NOTE—⇒Also applies when corrugated, crimped, channeled or ribbed, but does not apply when otherwise curved, bent or formed.	
156303	NOTE—⇒Cancel; no further application.	
156304	NOTE—⇒Cancel; no further application.	
⇒156305 (NEW)	NOTE—Articles tendered for shipment on lift truck skids, pallets or platforms must be securely fastened to and must not overhang the edges of the lift truck skid, pallet or platform deck. Exposed surfaces and edges must be completely wrapped with plastic film or corrugated fiberboard or protected by wood or similar material.	

Contact: Erin N. Topper Telephone — (703) 838-8856 topper@nmfta.org
 Adam C. Mercer Telephone — (571) 527-2698 mercer@nmfta.org

SUBJECT 3 — DOCKET 2022-1 — APPROVED AS DOCKETED

Item	Description	Class
	ELECTRICAL EQUIPMENT GROUP: subject to item 60500	
⇒61550 (NEW)	Detectors , fire, gas, heat or smoke, or Smoke Alarms , with or without built-in emergency lighting units, in boxes	110
61552	Detectors , fire, heat or smoke, or Smoke Alarms ; with or without built-in emergency lighting units, etc	⇒Cancel; see item 61550
61553	NOTE—⇒Cancel; no further application.	

SUBJECT 3 — DOCKET 2022-1 — APPROVED AS DOCKETED — Concluded

Item	Description	Class
	ELECTRICAL EQUIPMENT GROUP: subject to item 60500	
61555	Detectors, gas, etc ⇒Cancel; see item 61550	
61556	NOTE—⇒Cancel; no further application.	
Contact: Adam C. Mercer Telephone — (571) 527-2698 mercer@nmfta.org		

SUBJECT 4 — DOCKET 2022-1 — APPROVED AS DOCKETED

Item	Description	Class
	INK AND RELATED MATERIALS GROUP: subject to item 101710	
101720	Ink and Related Materials, not required by the U.S. Department of Transportation to bear a Hazard Class or Hazard Division label or placard, see Note, item 101721, viz.: Bases, color, ink; Coatings, ink; Compounds, ink reducing, thickening or thinning; Driers, ink; Extenders, ink; Ink, brush or stencil marking; Ink, printing, NOI, ⇒see Note, item 101722; Plasticizers, ink; Solvents, ink; Varnishes, ink; In boxes, drums, pails or intermediate bulk containers (IBCs), subject to Item 170 and having a density in pounds per cubic foot of: Subs 1-2 No Change.	
101721	NOTE—No Change.	
⇒101722 (NEW)	NOTE—Does not apply on ink, dry ink or toner for use in copiers, printers or facsimile (fax) machines. For applicable provisions, see item 101740.	
⇒101740	Ink, Dry Ink or Toner, copier, printer or facsimile (fax) machine, including Optical Photo Cartridges, see Notes, items 101742, 101743 and 101744, not required by the U.S. Department of Transportation to bear a Hazard Class or Hazard Division label or placard, see Note, item 101745, in boxes, drums or pails, subject to Item 170 and having a density in pounds per cubic foot of:	
Sub 1	Less than 8.....	175
Sub 2	8 but less than 12	100
Sub 3	12 or greater	77.5
101741	NOTE—⇒Cancel; no further application.	
⇒101742 (NEW)	NOTE—Also applies on ink, dry ink or toner cartridges with integral drum unit.	
⇒101743 (NEW)	NOTE—Also applies on ink, dry ink or toner cartridges whether full or containing residue.	

SUBJECT 4 — DOCKET 2022-1 — APPROVED AS DOCKETED — Concluded

Item	Description	Class
⇒101744 (NEW)	NOTE—Also applies on ink, dry ink or toner cartridges being shipped for recycling or disposal.	
⇒101745 (NEW)	NOTE—Does not apply on materials regulated by the U.S. Department of Transportation as hazardous and required to bear a Hazard Class or Hazard Division label or placard. For classes applicable to such hazardous materials, see provisions elsewhere in this Classification.	
	MACHINERY GROUP: subject to item 114000	
	Business or Office: subject to item 115700	
116030	Machines, Systems or Devices, data processing, or Components, Parts or Peripherals thereof, see Note, item 116033, viz.:	
	⇒ Cartridges, ink, dry ink or toner, copier, printer or facsimile (fax) machine, including Optical Photo Cartridges, see Notes, items 116035, 116036 and 116037;	
	Copiers, Printers, Scanners or Facsimile (Fax) Machines, or Components or Parts thereof, NOI, see ⇒Notes, items 116034 and 116039, also in Package 2534;	
	[Other Articles Listed—No Change.]	
	In boxes, crates or Packages 2253, 2254, 2286 or 2291, released to a value not exceeding \$25.00 per pound, see Note, item 116031, subject to Item 170 and having a density in pounds per cubic foot of:	
	Subs 1-11 No Change.	
116031	NOTE—No Change.	
116033	NOTE—No Change.	
116034	NOTE—No Change.	
116035	NOTE—⇒Cancel; see item 101743.	
116036	NOTE—⇒Cancel; see item 101742.	
116037	NOTE—⇒Cancel; see item 101744.	
116038	NOTE—No Change.	
⇒116039 (NEW)	NOTE—Articles may be shipped with complement of ink, dry ink or toner in same package.	

Contact: Lisa K. O'Donnell

Telephone — (703) 838-1838

odonnell@nmfta.org

SUBJECT 5 — DOCKET 2022-1 — APPROVED AS DOCKETED

Item	Description	Class
⇒39510	Cables , mechanical control, flexible, with cable conduit, with or without couplings or fittings, aircraft, machinery or vehicle, in boxes, subject to Item 170 and having a density in pounds per cubic foot of:	
Sub 1	Less than 1.....	400
Sub 2	1 but less than 2	300
Sub 3	2 but less than 4	250
Sub 4	4 but less than 6	175
Sub 5	6 but less than 8	125
Sub 6	8 but less than 10	100
Sub 7	10 but less than 12	92.5
Sub 8	12 but less than 15	85
Sub 9	15 but less than 22.5	70
Sub 10	22.5 but less than 30	65
Sub 11	30 or greater.....	60

Contact: Ashley L. Gencarelli Telephone — (703) 838-1809 gencarelli@nmfta.org

SUBJECT 6 — DOCKET 2022-1 — APPROVED AS DOCKETED

Item	Description	Class
76850	Fruits, Meats, Vegetables or Dairy Products , with or without other ingredients, freeze-dehydrated or freeze-dried, NOI, see Note, item 76852, in boxes, drums or Package 2257, subject to Item 170 and having a density in pounds per cubic foot of:	
⇒Sub 1	Less than 4.....	250
⇒Sub 2	4 but less than 7	175
⇒Sub 3	7 or greater.....	100
76852	NOTE—No Change.	

Contact: Allison L. Austin Telephone — (703) 838-8864 austin@nmfta.org

SUBJECT 7 — DOCKET 2022-1 — APPROVED AS DOCKETED

Item	Description	Class
	DRUGS, MEDICINES, TOILET PREPARATIONS OR PERSONAL CARE PRODUCTS	
	GROUP: subject to item 58500	
⇒58730	Cough Drops or Throat Lozenges , in boxes.....	100

Contact: Lisa K. O'Donnell Telephone — (703) 838-1838 odonnell@nmfta.org

SUBJECT 8 — DOCKET 2022-1 — WITHDRAWN

THIS SUBJECT PROPOSED THE FOLLOWING AMENDMENTS THAT WERE NOT ADOPTED

Item	Description	Class
	GLASS: subject to item 86500	
⇒86960	Glazing Units (Insulated Glass Panels) , not in sash, see Note, item 86966, in boxes, crates or Packages 2149 or 2281, see Note, item NEW:	
Sub 1	Greatest dimension exceeding 96 inches, subject to Item 170 and having a density in pounds per cubic foot of:	
Sub 2	Less than 8.....	250
Sub 3	8 but less than 12	125
Sub 4	12 or greater	85
Sub 5	Greatest dimension not exceeding 96 inches, subject to Item 170 and having a density in pounds per cubic foot of:	
Sub 6	Less than 8.....	200
Sub 7	8 but less than 12	110
Sub 8	12 or greater	77.5
86966	NOTE—Applies on units consisting of sheets of glass separated by air, ⇆gas or vacuum, sealed at all edges with same or other materials.	
⇒NEW	NOTE—Articles must be protected by packing forms or other packaging materials necessary to afford adequate protection against damage.	

Comment: The FCDC voted to withdraw this proposal and continue research. The current provisions will continue to apply.

Contact: Larissa A. Franklin

Telephone — (703) 838-1824

franklin@nmfta.org

THIS SPACE INTENTIONALLY LEFT BLANK

SUBJECT 9 — DOCKET 2022-1 — APPROVED AS DOCKETED

Item	Description	Class
	CLOTH, DRY GOODS, FABRICS OR TEXTILES GROUP: subject to item 48920	
49450	Friction Fabric or Friction Tape (cloth coated with soft gum, unvulcanized rubber or other sticky coating), NOI, other than insulating cloth or tape, etc.....	⇒Cancel; see item 181823
49680	Cloth or Tape , insulating, NOI, etc.....	⇒Cancel; see item 181823
⇒181823 (NEW)	Tape , friction or insulating, NOI, including Electrical Tape , in boxes, subject to Item 170 and having a density in pounds per cubic foot of:	
Sub 1	Less than 1.....	400
Sub 2	1 but less than 2	300
Sub 3	2 but less than 4	250
Sub 4	4 but less than 6	175
Sub 5	6 but less than 8	125
Sub 6	8 but less than 10	100
Sub 7	10 but less than 12	92.5
Sub 8	12 but less than 15	85
Sub 9	15 but less than 22.5	70
Sub 10	22.5 but less than 30	65
Sub 11	30 or greater.....	60

Contact: Larissa A. Franklin Telephone — (703) 838-1824 franklin@nmfta.org

SUBJECT 10 — DOCKET 2022-1 — APPROVED AS DOCKETED

Item	Description	Class
	FOODSTUFFS GROUP: subject to item 72000	
73238	Foodstuffs , other than frozen, Group II, viz.: ⇒ Oil , cooking or salad, NOI, etc; ⇒ Vegetable Oil Shortening , liquid, semisolid or plastic, etc; [Other Articles Listed—No Change.] In boxes, crates, drums or Package 2499	No Change
⇒74190 (NEW)	Oils , cooking or salad, NOI; Cooking Spray , not required by the U.S. Department of Transportation to bear a Hazard Class or Hazard Division label or placard, see Note, item 74191; or Vegetable Oil Shortening ; in boxes, drums or Packages 275, 1000, 2257, 2288, 2330, 2393, 2401, 2415 or 2499	65
⇒74191 (NEW)	NOTE—Does not apply on materials regulated by the U.S. Department of Transportation as hazardous and required to bear a Hazard Class or Hazard Division label or placard. For classes applicable to such hazardous materials, see provisions elsewhere in this Classification.	

Contact: Allison L. Austin Telephone — (703) 838-8864 austin@nmfta.org

SUBJECT 11 — DOCKET 2022-1 — APPROVED AS DOCKETED

Item	Description	Class
156600	<p>PLASTIC OR RUBBER ARTICLES, OTHER THAN EXPANDED, GROUP: subject to item 156500</p> <p>Articles, viz.:</p> <ul style="list-style-type: none"> Articles, NOI; Boot or Shoe Forms or Trees, other than display forms or trees; Caps, Covers, Discs, Ends, Bands, Rings or Tops, NOI, for bottles, cans, cups, collapsible tubes, glasses, jars or jugs; Car Seats, child or baby; Columns; or other Forms or Shapes, NOI; architectural; Containers, packaging, NOI; Dinnerware or Tableware, NOI; Filmstrip or Audio or Video Cassette Storage Albums; Garbage or Refuse Cans; Gloves, see Note, item 156604; Grips, NOI, including Golf Club, Hand Tool or Handlebar Grips; Liners, swimming pool, plastic film or sheeting; Mats, bathtub, shower stall, drainboard, sink or stove protector; Molding, other than baseboard or cove; Motion Picture Film Cans, Cores, Magazines, Reels or Film Spools, empty; Pipe or Pipe Fittings; Poultry Watering Systems, see Note, item 156603; Tanks, NOI; Tractor Treads, rubber; Tubeing, NOI, other than flexible; <ul style="list-style-type: none"> ⇒In boxes, crates, drums or Packages 1078, 1241, 1273 or 2213, see Note, item 156602, subject to Item 170 and having a density in pounds per cubic foot of: 	
Subs 1-11	No Change.	
⇒156602	<p>NOTE—The following departures from packing requirements are permitted:</p> <ol style="list-style-type: none"> 1. Necks of empty carboys may project from boxes or crates. 2. Rigid plastic pipe or tubing, or tubes other than containers, may be shipped in packages with threaded or belled ends protected. 3. Flexible plastic pipe or tubing, or tubes other than containers, may be shipped in coils with threaded or belled ends protected, or on reels. 4. Plastic pipe fittings may be shipped in packages with threaded or belled ends protected. 5. Flexible plastic fencing or mesh, produced by a stretching and extruding process, may be shipped in bundles or rolls. 6. Swimming pool and pond liners may be shipped in bundles or rolls. 7. Plastic plate or sheet with formed interior cells, cavities or flutes may be shipped securely fastened to lift truck skids, pallets or platforms and must not overhang the edges of the lift truck skid, pallet or platform deck. Exposed surfaces and edges must be completely wrapped with plastic film or corrugated fiberboard or protected by wood or similar material. 	

SUBJECT 11 — DOCKET 2022-1 — APPROVED AS DOCKETED — Concluded

Item	Description	Class
	8. Cups or tumblers, without handles, may be shipped in Packages 2471 or 2505.	
	9. Plastic chairs may be shipped in Package 31F.	
	10. The following articles may be shipped in packages:	
	a. Garbage or refuse cans;	
	b. Plastic bottle carrying boxes or crates;	
	c. Plastic tanks, other than outer shipping containers;	
	d. Poultry watering systems.	
156603	NOTE—No Change.	
156604	NOTE—No Change.	

Package 1456

⇒Cancel; no further application.

Package 2060

⇒Cancel; no further application.

Package 2195

⇒Cancel; no further application.

Package 2212

⇒Cancel; no further application.

Package 2230

⇒Cancel; no further application.

Package 2459

⇒Cancel; no further application.

Contact: Erin N. Topper

Telephone — (703) 838-8856

topper@nmfta.org

SUBJECT 12 — DOCKET 2022-1 — APPROVED AS DOCKETED

Item	Description	Class
157320	<p>PLASTIC OR RUBBER ARTICLES OR MATERIALS, EXPANDED, GROUP: subject to item 157300</p> <p>Articles, Forms or Materials, viz.:</p> <p>Articles, NOI, see Note, item ⇒157321;</p> <p>Beads;</p> <p>Blocks, NOI, see Note, item ⇒157321;</p> <p>Boot or Shoe Forms or Trees, other than display forms or trees;</p> <p>Boxes or Chests, cooling, NOI, or Coolers, NOI, hand portable;</p> <p>Containers, liquid or beverage serving, hand portable;</p> <p>Flakes or Granules;</p> <p>Floats, NOI;</p> <p>Forms or Shapes, NOI, see Note, item ⇒157321;</p> <p>Grips, NOI, including Golf Club, Hand Tool or Handlebar Grips;</p> <p>Ground;</p> <p>Ice Buckets;</p> <p>Insulation, NOI, see Notes, items ⇒157321 and 157322;</p> <p>Molding, facing, baseboard or cove, including Ceiling Medallions or Cornices;</p> <p>Plates, see Note, item ⇒157321;</p> <p>Rods;</p> <p>Sheets, NOI, see Notes, items ⇒157321 and 157322;</p> <p>Shredded;</p> <p>Slabs, see Note, item ⇒157321;</p> <p>Tubes, NOI;</p> <p>Tubing, NOI, other than flexible; ⇒In bags, boxes or drums, subject to Item 170 and having a density in pounds per cubic foot of:</p>	
Subs 1-11	No Change.	
⇒157321 (NEW)	NOTE—Also applies when faced one or both sides with other materials but does not apply on combinations of flexible cellular, expanded or foam plastic or rubber and cloth or fabric.	
⇒157322 (NEW)	NOTE—Does not apply on polypropylene in sheet form, polyethylene in sheet form or polystyrene in sheet form, when the packaged density as shipped is less than 1 pound per cubic foot. Such articles are classified in item 157463.	
157342	NOTE—⇒Cancel; no further application.	
157344	NOTE—⇒Cancel; see item 157321.	
157346	NOTE—⇒Cancel; see item 157322.	

Contact: Erin N. Topper

Telephone — (703) 838-8856

topper@nmfta.org

SUBJECT 13 — DOCKET 2022-1 — APPROVED AS DOCKETED

Item	Description	Class
	BUILDING MATERIALS, MISCELLANEOUS, GROUP: subject to item 33570	
⇒34250 (NEW)	Door Lites, Sidelites or Transom Lites (Transom Windows), plastic, glazed, in boxes or crates, see Note, item 34251:	
Sub 1	Greatest dimension exceeding 96 inches, subject to Item 170 and having a density in pounds per cubic foot of:	
Sub 2	Less than 6.....	400
Sub 3	6 but less than 10	150
Sub 4	10 or greater	92.5
Sub 5	Greatest dimension not exceeding 96 inches, subject to Item 170 and having a density in pounds per cubic foot of:	
Sub 6	Less than 6.....	300
Sub 7	6 but less than 10	125
Sub 8	10 or greater	85
⇒34251 (NEW)	NOTE—Articles must be protected by packing forms or other packaging materials necessary to afford adequate protection against damage.	
34943	Lights, door or sidelight insert, plastic, glazed, etc.....	⇒Cancel; see item 34250

Contact: Larissa A. Franklin

Telephone — (703) 838-1824

franklin@nmfta.org

THIS SPACE INTENTIONALLY LEFT BLANK

SUBJECT 14 — DOCKET 2022-1 — APPROVED AS DOCKETED

Item	Description	Class
20510	BAGS: subject to item 20500 Bags, apparel, bedding, clothing or garment storage or protective, plastic, see Note, item 20512, KD flat, etc	⇒Cancel; see item 20580
20512	NOTE—⇒Cancel; no further application.	
20580	Bags, viz.: ⇒ Apparel, Bedding, Clothing or Garment Storage or Protection, NOI; ⇒ Garment Storage, NOI; ⇒ Mattress (Mattress Covers), see Note, item 20581; [Other Articles Listed—No Change.] ⇒In bags, bales, boxes or bundles, subject to Item 170 and having a density in pounds per cubic foot of:	
Sub 1	Less than 1	400
Sub 2	1 but less than 2	300
Sub 3	2 but less than 4	250
Sub 4	4 but less than 6	175
Sub 5	6 but less than 8	125
Sub 6	8 but less than 10	100
Sub 7	10 but less than 12	92.5
Sub 8	12 but less than 15	85
Sub 9	15 but less than 22.5	70
Sub 10	22.5 but less than 30	65
Sub 11	30 or greater	60
⇒20581 (NEW)	NOTE—Applies only on bags or covers that completely enclose a mattress.	
20620	Bedding; Clothing; or Mattress (Mattress Covers), see Note, item 20621; NOI, etc	⇒Cancel; see item 20580
20621	NOTE—⇒Cancel; see item 20581.	

Contact: Larissa A. Franklin Telephone — (703) 838-1824 franklin@nmfta.org

SUBJECT 15 — DOCKET 2022-1 — APPROVED AS DOCKETED

Item	Description	Class
73238	FOODSTUFFS GROUP: subject to item 72000 Foodstuffs, other than frozen, Group II, viz.: ⇒ Kernels or Seeds, sunflower, cooked or roasted, salted or not salted; [Other Articles Listed—No Change.] In boxes, crates, drums or Package 2499	No Change

SUBJECT 15 — DOCKET 2022-1 — APPROVED AS DOCKETED — Concluded

Item	Description	Class
	FOODSTUFFS GROUP: subject to item 72000	
⇒73705 (NEW)	Kernels or Seeds, pumpkin or sunflower, cooked, in bags, boxes or drums, subject to Item 170 and having a density in pounds per cubic foot of:	
Sub 1	Less than 10	110
Sub 2	10 but less than 12	92.5
Sub 3	12 or greater	70
73710	Kernels, pumpkin seed, cooked, salted or not salted, etc.....	⇒Cancel; see item 73705

Contact: Allison L. Austin Telephone — (703) 838-8864 austin@nmfta.org

SUBJECT 16 — DOCKET 2022-1 — APPROVED AS DOCKETED

Item	Description	Class
	ELECTRICAL EQUIPMENT GROUP: subject to item 60500	
61370	Combs; Brushes; Crimpers; Fluters; Straighteners, NOI; or Wavers, NOI; hair, etc	⇒Cancel; see item 62290
⇒62290	Irons or Wands, hair crimping, curling, straightening, styling or waving; or Brushes or Combs, hair; in boxes.....	125

Contact: Allison L. Austin Telephone — (703) 838-8864 austin@nmfta.org

THIS SPACE INTENTIONALLY LEFT BLANK

SUBJECT 19 — DOCKET 2022-1 — APPROVED AS DOCKETED

Item	Description	Class
	MACHINERY GROUP: subject to item 114000	
⇒132600	Turntables , NOI, in boxes or crates, subject to Item 170 and having a density in pounds per cubic foot of:	
Sub 1	Less than 12	125
Sub 2	12 or greater	70
Contact: Adam C. Mercer Telephone — (571) 527-2698 mercer@nmfta.org		

SUBJECT 20 — DOCKET 2022-1 — APPROVED AS DOCKETED

Item	Description	Class
	CAPS AND COVERS GROUP: subject to item 40220	
⇒40290	Caps, Covers or Tops , dispensing, for pressurized cans or bottles; or Assembled Parts thereof , NOI; in boxes.....	125
Contact: Allison L. Austin Telephone — (703) 838-8864 austin@nmfta.org		

SUBJECT 21 — DOCKET 2022-1 — APPROVED AS MODIFIED

Item	Description	Class
	HOUSEHOLD UTENSILS GROUP: subject to item 100500	
100520	Beaters , egg or food, hand, NOI, etc	⇒Cancel; see item 101425
101425	Tools , hand, kitchen, NOI, other than power, in boxes, subject to Item 170 and having a density in pounds per cubic foot of:	
Sub 1	Less than 1	400
Sub 2	1 but less than 2	300
Sub 3	2 but less than 4	250
Sub 4	4 but less than 6	175
Sub 5	6 but less than 8	125
Sub 6	8 but less than 10	100
Sub 7	10 but less than 12	92.5
Sub 8	12 but less than 15	85
Sub 9	15 but less than 22.5	70
Sub 10	22.5 but less than 30	65
Sub 11	30 or greater	60

Comment: As modified, item 100520 is canceled with reference to item 101425.

Contact: Larissa A. Franklin Telephone — (703) 838-1824 franklin@nmfta.org

SUBJECT 22 — DOCKET 2022-1 — APPROVED AS DOCKETED

Item	Description	Class
22970	Bayonets, Sabers, Swords or Scabbards , other than toy, see Note, item 22971, in boxes, ⇨subject to Item 170 and having a density in pounds per cubic foot of:	
⇨Sub 1	Less than 6.....	200
⇨Sub 2	6 but less than 10	125
⇨Sub 3	10 or greater.....	85
22971	NOTE—No Change.	

Contact: Ashley L. Gencarelli Telephone — (703) 838-1809 gencarelli@nmfta.org

SUBJECT 23 — DOCKET 2022-1 — APPROVED AS DOCKETED

Item 275, Definition of or Specifications for Tubes, is amended as follows:

ITEM 275

DEFINITION OF OR SPECIFICATIONS FOR TUBES

⇨**Tubes** are containers that may be cylindrical, squared or triangular and may be made of fiberboard, paperboard or plastic. Tubes must be of construction and size that protects the contents and prevents movement of the contents that could cause damage from the normal rigors of the less-than-truckload environment. Ends of tubes may be removable or nonremovable and may be made of same or other materials. Removable ends must be securely held in place to protect and prevent loss of contents during transport.

Contact: Erin N. Topper Telephone — (703) 838-8856 topper@nmfta.org

SUBJECT 24 — DOCKET 2022-1 — APPROVED AS DOCKETED

Item 245, Definition of or Specifications for Crates, is amended as follows:

ITEM 245

DEFINITION OF OR SPECIFICATIONS FOR CRATES

Crates are containers constructed of wood or metal slats or structural members with apertures between, securely nailed, bolted, screwed, riveted, welded, glued, dovetailed, or wired and stapled together, having sufficient strength to hold contents so as to withstand the normal rigors of the less-than-truckload environment. Crates must be constructed with slats or members sufficiently close to one another to adequately protect contents on the sides, ends, tops and bottoms, and in such manner that the crate containing its contents may be taken into or out of the vehicle. Contents must be securely held within crates and no part shall protrude, unless otherwise provided in individual items. Surfaces liable to be damaged must be fully covered and protected. All moveable contents within the crate must be blocked and/or braced to prevent any shifting during transportation. Commodities with legs must be suspended away from all edges of the crate by at least one inch. If the weight of the commodity exceeds 500 pounds, a standard crate must be used instead of a wirebound crate.

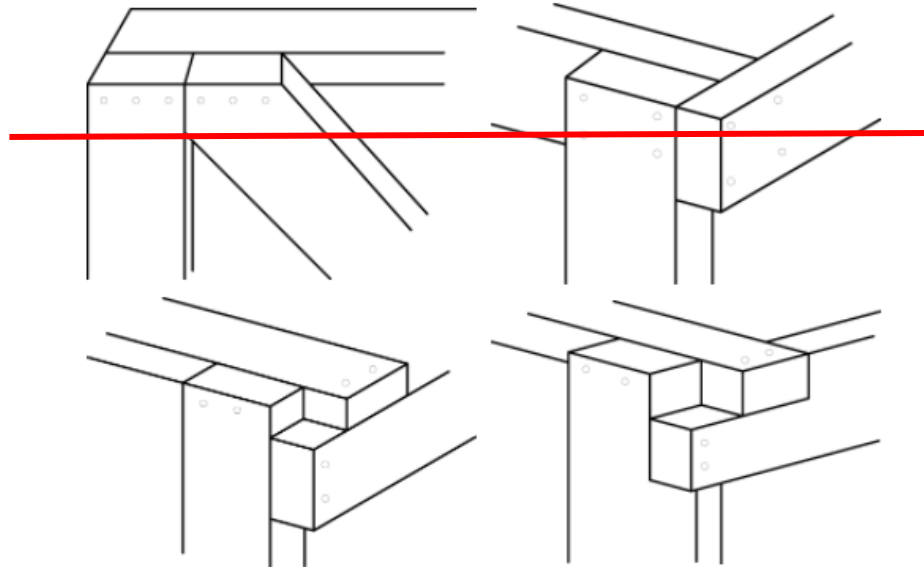
SUBJECT 24 — DOCKET 2022-1 — APPROVED AS DOCKETED — Concluded

Wooden crates, other than wirebound crates, must be constructed as follows:

(1) No Change.

(2) No Change.

(3) Crates must be constructed with three-way locking corners, where members will be joined with nails or other fasteners driven into side grain of joining members. Examples are shown below:



[REMAINDER OF RULE—NO CHANGE.]

Comment: As indicated, the top two diagrams are removed from Item 245.

Contact: Erin N. Topper

Telephone — (703) 838-8856

topper@nmfta.org

SUBJECT 25 — DOCKET 2022-1 — APPROVED AS DOCKETED

Item	Description	Class
69083	FILTERS GROUP: subject to item 69010 Filters, cigarette, with integral plastic holders, disposable, with or without components of other materials, in boxes..... ⇒200	

Contact: Lisa K. O'Donnell

Telephone — (703) 838-1838

odonnell@nmfta.org

SUBJECT 26 — DOCKET 2022-1 — APPROVED AS DOCKETED

Item	Description	Class
64300	⊕ Explosives , consisting of ammunition, explosive or incendiary, or gas or smoke or tear producing; Explosives , NOI; Propellants , explosive; Blasting Agents; Detonators, Igniters or Squibs , motor vehicle air bag deploying; Fireworks; Flares , NOI; or Ammunition or Cartridges , small arms, blank or loaded; in ⇒U.S. DOT-authorized packaging:	
Sub 1	Hazard Class 1, Division 1.1, 1.2 or 1.3, see Note, item 64301	No Change
Sub 2	Other than Hazard Class 1, Division 1.1, 1.2 or 1.3, see Note, item 64302.....	No Change
⇒64301	NOTE—Applies on articles or materials regulated by the U.S. Department of Transportation as a Hazard Class 1, Division 1.1, 1.2 or 1.3, Explosives, as defined in 49 CFR § 173.50 and required to bear a notice to that effect on bills of lading and packaging.	
⇒64302	NOTE—Applies on articles or materials regulated by the U.S. Department of Transportation as a Hazard Class 1, Division 1.4, 1.5 or 1.6, Explosives, as defined in 49 CFR § 173.50 and required to bear a notice to that effect on bills of lading and packaging, or on articles or materials moving under the limited quantity exception as defined in 49 CFR § 173.63(b).	

Contact: Lisa K. O'Donnell Telephone — (703) 838-1838 odonnell@nmfta.org

SUBJECT 27 — DOCKET 2022-1 — APPROVED AS DOCKETED

Item 540, Hazardous Materials, is amended as follows:

ITEM 540

HAZARDOUS MATERIALS
(see Notes A and C)

Secs. 1.-2. No Change.

Sec. 3. Classification of Materials Having More Than One Hazard: Hazardous materials classes and index to hazard class definitions. (See Notes D and E.)

Hazard Class No.	Division No. (if any)	Name of class or division	49 CFR reference for definitions
⇒None	—	⇒Other regulated material; ORM-D	⇒173.144

[REMAINDER OF TABLE—NO CHANGE.]

Sec. 3(a). Except as provided in paragraph (c) of this section, a material not specifically listed in 49 CFR § 172.101, Hazardous Materials Table, that meets the definition of more than one hazard class or division as defined in 49 CFR § 173.21 through ⇒§ 173.140...

[REMAINDER OF SECTION—NO CHANGE.]

SUBJECT 27 — DOCKET 2022-1 — APPROVED AS DOCKETED — Concluded

Secs. 3(b)-5. No Change.
Notes A-E—No Change.

Contact: Lisa K. O'Donnell

Telephone — (703) 838-1838

odonnell@nmfta.org

SUBJECT 28 — DOCKET 2022-1 — APPROVED AS DOCKETED

Item	Description	Class
	TOBACCO, MANUFACTURED, GROUP: subject to item 183100	
183160	Tobacco , smokeless, including Chewing Tobacco (Chew), Dipping Tobacco (Dip), Snuff, Plug or Twist , see ⇨Note, item 183161, in boxes or Package 1109, subject to Item 170 and having a density in pounds per cubic foot of:	
Subs 1-2	No Change.	
183161	NOTE—Also applies on Imitation Tobacco or tobacco mixed with other ingredients.	
183170	Tobacco , smoking, including Hookah, Shisha or Pipe Tobacco , cut or granulated, see Note, item ⇨183161, in boxes, subject to Item 170 and having a density in pounds per cubic foot of:	
Subs 1-3	No Change.	
183171	NOTE—⇨Cancel; no further application.	

Contact: Ashley L. Gencarelli

Telephone — (703) 838-1809

gencarelli@nmfta.org

SUBJECT 29 — DOCKET 2022-1 — APPROVED AS DOCKETED

Item	Description	Class
	ASPHALT GROUP: subject to item 15200	
15260	Pitch , brewers' or pine, ⇨in bags, boxes or drums	No Change
	ATHLETIC GOODS GROUP: subject to item 15500	
17290	Sinkers , lead, ⇨in bags, boxes or drums	No Change
20380	Bacteria , seed or soil inoculating, in preservative or soil, ⇨in bags, boxes or drums	No Change
	BLACKS, DRY: subject to item 23800	
23810	NOTE—No Change.	
23820	Blacks , dry mineral earth or peat char other than dry earth paint:	
Sub 1	⇨In bags	No Change
Sub 2	In boxes or drums	No Change
23900	Blacks, viz.: Carbon gas; Lamp; Oil; Density of 17 pounds or greater per cubic foot as packaged ⇨in bags, boxes, drums or Package 115, see Note, item 23910.....	No Change

SUBJECT 29 — DOCKET 2022-1 — APPROVED AS DOCKETED — Concluded

Item	Description	Class
23910	BLACKS, DRY: subject to item 23800	
23940	NOTE—No Change. Carbon Gas Black, NOI, Oil Black, NOI, Lamp Black, NOI, or Vegetable Black, NOI, not offered for transportation as a Hazard Class 4, ⇆in bags, boxes, drums or Package 115.....	No Change
23980	Blacks, dry, NOI, ⇆in bags, boxes, drums or Package 115, see Note, item 23810.....	No Change
30743	BRASS, BRONZE OR COPPER: subject to item 30100 Powder, copper, tin coated or other than tin coated, ⇆in bags, drums, pails or Package 2258	No Change
33600	BUILDING MATERIALS, MISCELLANEOUS, GROUP: subject to item 33570 Air Entraining Agents, consisting of saponified waste resin compound:	
Sub 1	Liquid, ⇆in drums, or in metal cans in boxes	No Change
Sub 2	Dry, ⇆in bags, boxes or drums	No Change
33860	Cement, Concrete or Masonry Waterproofing Compound, dry, ⇆in bags, boxes, drums or pails	No Change
35240	Plasterboard Joint System, consisting of plastering compound with paper, metal or fabric tape, with or without applicator, or Plasterboard Joint or Topping Cement or Compound, ⇆in bags, boxes, drums or pails	No Change

Contact: Erin N. Topper Telephone — (703) 838-8856 topper@nmfta.org

SUBJECT 30 — DOCKET 2022-1 — APPROVED AS MODIFIED

Item	Description	Class
40060	CANDY GROUP: subject to item 39900 Icing Powder, see Note, item 40062, ⇆in bags, boxes, drums, pails or Package 128.....	No Change
40062	NOTE—No Change.	
42120	CEMENT GROUP: subject to item 42100 Cement, acid proof (building), ⇆in bags or drums	No Change
48090	CLAY GROUP: subject to item 47990 Carbon Silica, ⇆in bags or drums.....	No Change
48270	Graphite Ore, ⇆in bags, boxes or drums.....	No Change
48310	Iron Ore, ground, not calcined, suitable only for use as a sink-float media for coal or ore, ⇆in bags.....	No Change
48340	Kyanite or Sillimanite Ore, ⇆in bags, boxes or drums	No Change
48400	Pyrites, iron, ⇆in bags, boxes or drums	No Change
50340	Compounds, water clarifying, hardening, purifying or softening, not medicated nor perfumed, NOI:	
Sub 1	Dry, ⇆in bags, boxes, drums or Package 2118.....	No Change
Sub 2	Liquid or paste, ⇆in drums.....	No Change

SUBJECT 30 — DOCKET 2022-1 — APPROVED AS MODIFIED — Concluded

Item	Description	Class
DRUGS, MEDICINES, TOILET PREPARATIONS OR PERSONAL CARE PRODUCTS GROUP: subject to item 58500		
59040	Nuts, areca (Betel Nuts), ground or powdered, ⇨in bags, boxes or drums	No Change
Sea Grass, Sea Moss or Seaweed: subject to item 59240		
59250	Agar-Agar (Bengal Isinglass or Ceylon Moss), ⇨in bags, bales, boxes or drums	No Change

Comment: As modified, item 48410 is removed from this subject. See action taken on Subject 38.

Contact: Erin N. Topper Telephone — (703) 838-8856 topper@nmfta.org

SUBJECT 31 — DOCKET 2022-1 — APPROVED AS MODIFIED

Item	Description	Class
FOODSTUFFS GROUP: subject to item 72000		
72220	Bread Making Compounds, NOI, other than prepared flour, edible flour, NOI, baking powder or yeast, and including compounds such as gluten developers, yeast foods and dough improvers, ⇨in bags, boxes, drums or Packages 1403 or 2323	No Change
72490	Coating, doughnut or cake, dry, see Note, item 72492, ⇨in bags.....	No Change
72492	NOTE—No Change.	
72760	Dessert Preparations, such as ice cream, jelly, pie or pudding preparations, other than frozen, NOI, see Note, item 72762, ⇨in bags, boxes, drums or pails:	
Sub 1	Sweetened, other than with sugar.....	No Change
Sub 2	Unsweetened; or sweetened with sugar.....	No Change
72762	NOTE—No Change.	
73220	Food Curing, Preserving or Seasoning Compounds, NOI, ⇨in bags, boxes, drums or Packages 510, 860, 1399, 2283 or 2358.....	No Change
73770	Malt and Milk Compound, not malted milk, ⇨in bags, boxes or drums	No Change
74740	Shortening, powdered, consisting of milk or whey solids and vegetable oil shortening or lard, with or without desiccated eggs or sugar, ⇨in bags, boxes or drums	No Change
74840	Soybean Milk Compound, including Infant Formula, ⇨in bags, boxes, drums or Package 1000	No Change
FURNITURE PARTS GROUP: subject to item 82750		
83370	Rocker Springs, platform or spring rocking chair, steel, ⇨in boxes	No Change

SUBJECT 31 — DOCKET 2022-1 — APPROVED AS MODIFIED — Concluded

Item	Description	Class
	INSULATION OR INSULATING MATERIAL GROUP: subject to item 103000	
103110	Cement, viz.: ⇒Boiler Wall; ⇒Insulating, infusorial earth; Magnesia; ⇒Mineral Wool (Clay, Rock, Slag or Glass Wool); ⇒In bags, boxes, drums or pails.....	No Change

Comment: As modified, item 111290 is removed from this subject. See action taken on Subject 38.

Contact: Erin N. Topper Telephone — (703) 838-8856 topper@nmfta.org

SUBJECT 32 — DOCKET 2022-1 — APPROVED AS DOCKETED

Item	Description	Class
	CLOTH, DRY GOODS, FABRICS OR TEXTILES GROUP: subject to item 48920	
49210	Cloth or Fabric, other than with pile or loop surfaces; coated with aluminum, plastic, pyroxylin or rubber, NOI, see Notes, items 49212 and 49214; ⇒in bags, bales, boxes or rolls.....	No Change
49212	NOTE—No Change.	
49214	NOTE—No Change.	
	FURNITURE GROUP: subject to item 79000	
	Metallic or Wooden: subject to item 79600	
	Cots or Beds, folding, NOI: subject to item 81000	
81040	Steel frame, NOI, ⇒in packages:	
Sub 1	⇒Thickness folded exceeding 12 inches, see Note, item 81042	No Change
Sub 2	⇒Thickness folded exceeding 2 inches but not over 12 inches	No Change
Sub 3	⇒Thickness folded not exceeding 2 inches.....	No Change
81042	NOTE—⇒Also applies on one accompanying mattress or pad when in Package 10F and enclosed in cot.	
81060	Steel frame, with coiled wire springs, folded, ⇒in packages:	
Sub 1	⇒Thickness exceeding 12 inches, see Note, item 81042, or each compressed to thickness exceeding 3 inches, or not compressed	No Change
Sub 2	⇒Each compressed to thickness not exceeding 3 inches ..	No Change
	PAPER: subject to item 150600	
150780	Carbonized Newsprint; or One-time Carbon Paper, see Note, item 150784; ⇒in boxes or wrapped rolls	No Change
150782	NOTE—⇒Cancel; no further application.	
150784	NOTE—No Change.	

Contact: Erin N. Topper Telephone — (703) 838-8856 topper@nmfta.org

SUBJECT 33 — DOCKET 2022-1 — APPROVED AS DOCKETED

Item	Description	Class
	CHEMICALS GROUP: subject to item 42600	
42655	Adipic Acid, ⇨in bags, boxes or drums.....	No Change
42910	Aluminum Sulfate, or Papermakers' Alum:	
Sub 1	In inner containers in boxes.....	No Change
Sub 2	⇨In bags, or in bulk in boxes, drums or pails.....	No Change
	Calcium: subject to item 43620	
43800	Phosphate:	
Sub 1	⇨In bags, or in bulk in boxes or drums.....	No Change
Sub 2	In inner containers in boxes.....	No Change
43830	Silicate, hydrated, ⇨in bags.....	No Change
44150	⊗Copper Sulfate (Blue Vitriol):	
Sub 1	⇨In containers in boxes.....	No Change
Sub 2	⇨In bags, or in bulk in boxes or drums.....	No Change
	Magnesium: subject to item 45030	
45070	Hydroxide, dry, technical grade, ⇨in bags.....	No Change
45230	Metallic Soaps of Fatty Acids, ⇨in bags, boxes or drums.....	No Change
46030	Resins, coal tar or petroleum, or Resin Compounds, see Note, item 46032, not required by the U.S. Department of Transportation to bear a Hazard Class or Hazard Division label or placard, see Note, item 46031, ⇨in bags, boxes, drums or Packages 2452, 2473, 2501 or 2510.....	No Change
46031	NOTE—No Change.	
46032	NOTE—No Change.	
46045	Salicylic Acid:	
Sub 1	In inner containers in boxes.....	No Change
Sub 2	⇨In bags, or in bulk in boxes or drums.....	No Change
	Sodium (Soda): subject to item 46080	
46090	Acetate:	
Sub 1	⇨In bags, or in bulk in drums.....	No Change
Sub 2	⇨In containers in boxes.....	No Change
46330	Disodium Phosphate or Trisodium Phosphate, ⇨in bags, boxes or drums.....	No Change

Package 1245

⇨Cancel; no further application.

Package 2037

⇨Cancel; no further application.

Contact: Erin N. Topper

Telephone — (703) 838-8856

topper@nmfta.org

SUBJECT 34 — DOCKET 2022-1 — APPROVED AS DOCKETED

Item	Description	Class
	CHEMICALS GROUP: subject to item 42600	
	Sodium (Soda): subject to item 46080	
46610	⊗ Soda or Sodium Salts, NOI:	
Sub 1	⇒In inner containers in boxes.....	No Change
Sub 2	⇒In bags, or in bulk in boxes or drums	No Change
	Zinc: subject to item 47280	
47290	Ammonium Chloride, ⇒in bags, drums or Package 390	No Change
47410	Sulfate:	
Sub 1	⇒In bags, or in bulk in boxes or drums	No Change
Sub 2	⇒In inner containers in boxes.....	No Change
	MACHINERY GROUP: subject to item 114000	
	Lubricators or Grease Cups, NOI: subject to item 124500	
124540	Other than automatic, ⇒in boxes:	
Sub 1	⇒Iron or steel	No Change
Sub 2	⇒Other than iron or steel.....	No Change
133520	Magnesite, calcined or dead burned, ⇒in bags, boxes, drums or Package 1248.....	No Change
	MEATS OR SHORTENING GROUP: subject to item 134400	
134472	NOTE—No Change.	
134530	Lard, NOI; Rendered Pork Fats, see Note, item 134472; or Shortening, NOI, see Note, item 134536; in boxes, drums or Packages 275, 1000, 2257, 2288, 2330 or 2415, see Note, item 134534.....	No Change
134534	NOTE—Also applies in solidified or flaked form ⇒in bags.	
134536	NOTE—No Change.	
	METALS GROUP: subject to item 135300	
135910	Manganese Metal, ⇒in bags, boxes or drums	No Change
	PADS, PADDING AND RELATED ARTICLES GROUP: subject to item 149000	
149030	Battling, Batts, Wadding or Mattress Felt or Padding, NOI, cotton, jute or sisal, see Note, item 149031, subject to Item 170:	
Sub 1	⇒In bags or boxes, or in bales not compressed or bales compressed to less than 6 pounds per cubic foot	No Change
Sub 2	In bales compressed to 6 pounds per cubic foot but less than 12 pounds per cubic foot	No Change
Sub 3	In bales compressed to 12 pounds or greater per cubic foot.....	No Change
149031	NOTE—No Change.	
	PAINTS GROUP: subject to item 149500	
149590	Blue, ultramarine, lumps or powdered:	
Sub 1	⇒In inner containers in boxes.....	No Change
Sub 2	⇒In bulk in bags, boxes or drums	No Change

Contact: Erin N. Topper

Telephone — (703) 838-8856

topper@nmfta.org

SUBJECT 35 — DOCKET 2022-1 — APPROVED AS DOCKETED

Item	Description	Class
	CHEMICALS GROUP: subject to item 42600	
44515	☉ Flammable Solid, Spontaneously Combustible or Dangerous When Wet Materials , NOI, see Note, item 44516, in U.S. DOT-authorized packaging:	
Sub 1	Offered for transportation as a Hazard Class 4, Division 4.3:	
Sub 2	In Packing Group I	110
Sub 3	In Packing Group II	100
Sub 4	In Packing Group III	92.5
Sub 5	Offered for transportation as a Hazard Class 4, Division 4.2:	
Sub 6	In Packing Group I	150
Sub 7	In Packing Group II	92.5
Sub 8	In Packing Group III	85
Sub 9	Offered for transportation as a Hazard Class 4, Division 4.1:	
Sub 10	In Packing Group I	125
Sub 11	In Packing Group II	85
Sub 12	In Packing Group III	77.5
44516	NOTE—No Change.	
45615	☉ Poisonous or Toxic Materials , see Note, item 45616, in U.S. DOT-authorized packaging:	
Sub 1	In Packing Group I:	
Sub 2	Poisonous by inhalation	150
Sub 3	Other than poisonous by inhalation.....	125
Sub 4	In Packing Group II	85
Sub 5	In Packing Group III	70
45616	NOTE—No Change.	
141080	☉ Nitrostarch , wet, with not less than 20 percent of water, etc	⇒Cancel; see item 44515
	OILS, OTHER THAN PETROLEUM: subject to item 144600	
144640	☉ Aniline , etc	⇒Cancel; see item 45615

Contact: Larissa A. Franklin Telephone — (703) 838-1824 franklin@nmfta.org

SUBJECT 36 — DOCKET 2022-1 — APPROVED AS DOCKETED

Item	Description	Class
	CHEMICALS GROUP: subject to item 42600	
45615	☉ Poisonous or Toxic Materials , see Note, item 45616, in U.S. DOT-authorized packaging:	
Sub 1	In Packing Group I:	
Sub 2	Poisonous by inhalation	150
Sub 3	Other than poisonous by inhalation.....	125
Sub 4	In Packing Group II	85
Sub 5	In Packing Group III	70
45616	NOTE—No Change.	

SUBJECT 36 — DOCKET 2022-1 — APPROVED AS DOCKETED — Concluded

Item	Description	Class
155460	Petroleum Xylidine , etc.....	⇒Cancel; see item 45615
Contact: Ashley L. Gencarelli Telephone — (703) 838-1809 gencarelli@nmfta.org		

SUBJECT 37 — DOCKET 2022-1 — APPROVED AS DOCKETED

The following numbered packages are canceled and reference(s) to them in individual item descriptions are removed:

1059	1109	1195	1235	1248
1060	1118	1205	1240	1297
1093	1135	1214	1246	

Contact: Erin N. Topper Telephone — (703) 838-8856 topper@nmfta.org

SUBJECT 38 — DOCKET 2022-1 — APPROVED AS DOCKETED

The following items are canceled as obsolete:

42740	45320	111290	182830
43460	47370	136470	194540
43850	48410	149580	

Contact: Erin N. Topper Telephone — (703) 838-8856 topper@nmfta.org

SUBJECT 39 — DOCKET 2022-1 — APPROVED AS DOCKETED

The following items are canceled as obsolete:

139020	139860	140780	142480
139240	139880	140820	143210
139830	139975	141100	143590

Contact: Larissa A. Franklin Telephone — (703) 838-1824 franklin@nmfta.org

SUBJECT 40 — DOCKET 2022-1 — APPROVED AS DOCKETED

The following items are canceled as obsolete:

147810	153380	153980	154180
153360	153400	154060	154570

Contact: Lisa K. O'Donnell Telephone — (703) 838-1838 odonnell@nmfta.org

SUBJECT 41 — DOCKET 2022-1 — APPROVED AS DOCKETED

The following items are canceled as obsolete:

156855	161720	162370	162630
160290	162160	162430	162660
161050	162320	162610	

Contact: Ashley L. Gencarelli Telephone — (703) 838-1809 gencarelli@nmfta.org

SUBJECT 42 — DOCKET 2022-1 — APPROVED AS DOCKETED

The following items are canceled as obsolete:

162740	165860	165920	168480
165840	165910	165950	168520

Contact: Adam C. Mercer Telephone — (571) 527-2698 mercerc@nmfta.org

SUBJECT 43 — DOCKET 2022-1 — APPROVED AS DOCKETED

The following items are canceled as obsolete:

169610	171390	174560	175430
169770	171430	174640	175470
170490	172180	175240	176500

Contact: Angela L. Li Telephone — (703) 838-1882 li@nmfta.org
