

# AX STEAM GENERATOR

## SPECIFICATION SHEET



### MODEL: AX SERIES WITH ELITE CLOUD AND PURE 2.0 TOUCH CONTROLS AND ADX AUTO DRAIN

#### Performance Features of Amerec AX Generators

- Sequential Temperature Control delivers a more consistent flow of Soft Steam and a more stable, comfortable steam bath experience.
- 6 sizes handle a range of steam bath sizes up to 550 cubic feet.
- AX generators can be connected together to heat steam baths larger than 550 cubic feet.
- Warm Start, a feature used in Day Spas and for use with Elite Cloud control only, maintains a tank water temperature at just below boiling, which reduces heating time by 2-3 minutes. Warm Start cables must be ordered separately.
- Exterior plug-in jacks allow quick and easy connection of control and sensor cables.
- 240 and 208 volt models can be wired in the field for either 1 or 3 phase power.
- Stainless steel tank and water level probes provide years of trouble-free operation.
- Removable heating elements provide easy and economical service.



#### Codes/Standards

- ETL listed for USA and Canada
- Tested to IEC standards

#### Elite Cloud Touchscreen Control Features

- Low profile surface mount, inside or outside the steambath.
- Intelligent Start pre-heats bath to be ready when needed.
- Temperature control and time duration adjustments.
- Controls chromatherapy lighting and fragrance injector options.
- Monthly and weekday calendar programming.
- Stores favorite bath settings.
- "AmerecControl" Wi-Fi app controls bath options.
- Smart home system interface.
- Multiple languages.
- Dimensions 3.35"W x 5.0"H x 0.55"D.



#### Pure 2.0 Control Panel Features

- On/Off, temperature and duration time control.
- Delayed start, 1-10 hours.
- Light switch.
- Dimensions 3.35"W x 5.0"H x 0.55"D.



#### Sizing and Rough-In Guide

Model	Steam Room Cu Ft				1 Phase		3 Phase	
	Min.	Max.	Voltage	Watts	Amps	Breaker	Amps	Breaker
AX4.5	60	90	240	4500	19	30	11	15
AX4.5	60	90	208	4500	22	30	12	20
AX6	80	150	240	6000	25	40	14	20
AX6	80	150	208	6000	29	40	17	30
AX7.5	100	200	240	7500	31	40	18	30
AX7.5	100	200	208	7510	36	50	21	30
AX9	150	300	240	9000	38	50	22	30
AX9	150	300	208	9000	43	60	25	40
AX11	200	400	240	11000	46	60	26	40
AX11	200	400	208	11250	18 & 36	30 & 50	31	40
AX14	350	550	240	14000	21 & 38	30 & 50	34	50
AX14	350	550	208	13580	24 & 42	30 & 50	38	50

To calculate the generator size required, multiply the length x width x height of the steam room. (Maximum recommended ceiling height is 8 feet.)

For rooms made of natural stone, multiply the cubic volume by 1.75 (stone requires more power to heat)

For rooms exceeding 550 cubic feet, generators may be ganged together to achieve required capacity.

Each generator will require its own power source as shown in the chart above.

Example: Room size 750 cu ft, power available 240V 1 phase:

Use two AX11 generators. Requires one 60A circuit for each AX11 steamer (total of 2 circuits)

Example: Room size 925 cu ft power available 240V 1 phase:

Use one AX11 ( requires one 60A circuit) plus one AX14 (requires 2 circuits, one 30A + one 50A)

At least one control required, regardless of quantity of generators. Additional controls may be connected: AX steamers are compatible with Amerec's Elite Cloud control and/or Pure 2.0 controls. Dual control options: Elite Cloud+Wi-Fi app, Elite Cloud+Elite Cloud, Elite Cloud+Pure 2.0

### Required Steam Head

ComfortFlo steam head, Available in Chrome, White, Polished Nickel, Brushed Nickel, Oil Rubbed Bronze, Brushed Bronze, Matte Black.

### Electrical Service Information

Dedicated circuit required. See specification chart.  
All electrical wiring to be installed by a licensed electrician in accordance with local and national codes.

### Plumbing Information

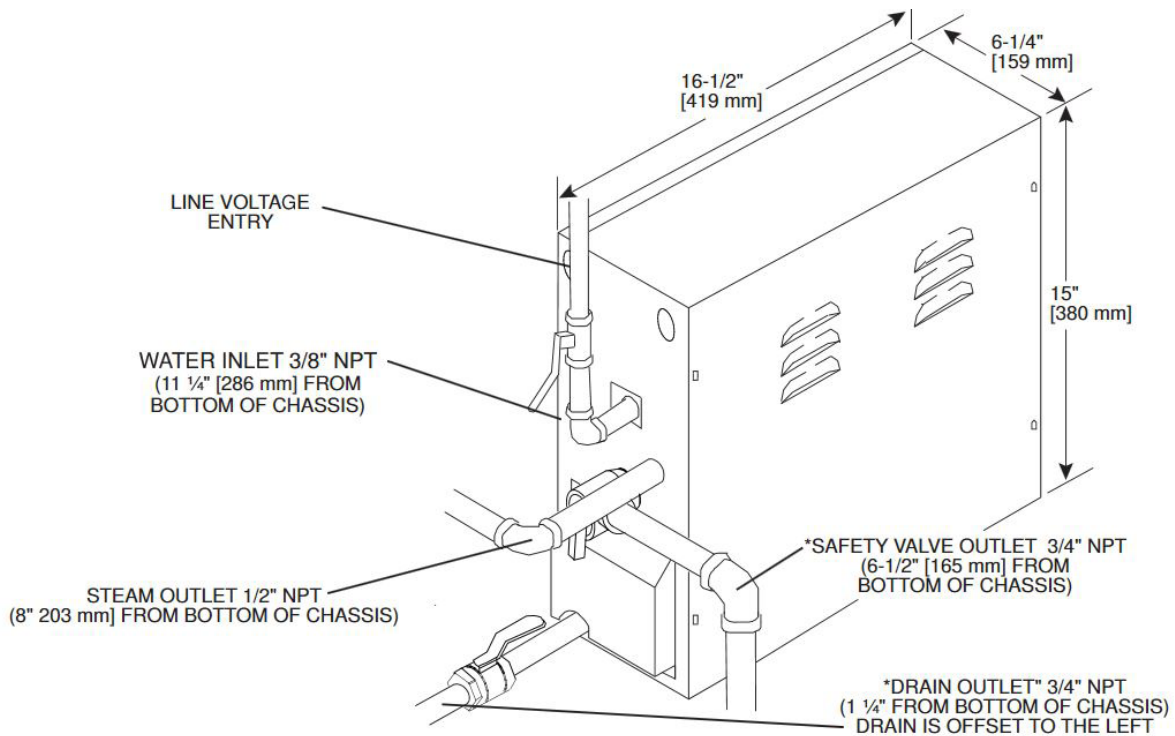
- Water Inlet – 3/8" NPT
- Pressure Relief Valve – 3/4" NPT
- Steam Outlet – 1/2" NPT
- Drain Outlet – 3/4" NPT
- Follow local plumbing codes.

### Generator Shipping Weight & Dimensions

AX 7.5 - AX 14: 35 Lbs.  
Shipping Box: 22" x 20" x 10-1/2"

### Installation Information

- Mount in dry, well ventilated area, not exposed to freezing temperatures.
- Mount generator level, on its base or hung on a wall.
- Provide adequate access serviceability.
- Run 3/8" copper cold water line. Install shut off valve, but do not use a saddle valve.
- Run 1/2" copper steam line, insulate lines longer than 20 ft. in length. Slope pipe to avoid condensation build up. Do not create traps.
- Run 3/4" copper pressure relief line and terminate in accordance with local and national codes.
- Run 3/4" copper drain line, sloping pipe to gravity flow drain. Do not terminate drain into the steam room.
- Steam head to be mounted 18" above floor or 6" above rim of bathtub and as far away from seating area as possible.



AMEREC  
525 E Cokato Street | Cokato, MN 55321  
Toll-Free 1-800-331-0349  
amerec@amerec.com | www.amerec.com

Amerrec reserves the right to change specifications and design without notice.  
© 2021 Amerrec Steam