

# AK STEAM GENERATOR

## SPECIFICATION SHEET



MODEL: AK SERIES WITH K2 AND K3 DIGITAL CONTROLS OR K4 ON/OFF CONTROL AND ADK DRAIN

### Performance Features of Amerec AK Generators

- Sequential Temperature Control delivers a more consistent flow of Soft Steam and a more stable, comfortable steam bath experience.
- 6 sizes handle a range of steam bath sizes up to 550 cubic feet.
- AK generators can be connected together to heat steam baths larger than 550 cubic feet.
- 240 and 208 volt models can be wired in the field for 1 or 3 phase power.
- Stainless steel tank and water level probes provide years of trouble-free operation.
- Removable heating elements provide easy and economical service.

### Codes/Standards

- ETL listed for USA and Canada
- Tested to IEC standards

### K2 Touch Screen Control Features

- Touch screen operation for easy control
- Surface mount
- Optional choice of trim ring in seven finishes
- Mount inside or outside the steam room
- Waterproof
- Intuitive display (time/temp/lighting/system status)
- 24 hr. time delay; 60-minute timer
- Light control (on/off, dimmer and color selection)
- WiFi module; mobile app functionality from anywhere there is cellular service
- SaunLogic app for Android or iPhone; and works with Google Home, Alexa and Siri
- Includes OTA ("Over-The-Air") technology for automatic software updates to mobile devices
- 3.4" w x 5" h x 0.6" d



### K3 3-Button Digital Control Features

- 3-button digital control with on/off, temperature and time duration setting.
- Display alternates between ambient room temperature and time remaining.
- Features separate, remote mounted temperature sensor.
- Surface mounted, inside or outside the steam room.
- 2 5/8"w x 2 5/8"w x 5/8"w



### Sizing and Rough-In Guide

Model	Steam Room Cu Ft		Voltage	Power Watts	1 Phase		3 Phase	
	Min.	Max.			Amps	Breaker	Amps	Breaker
AK4.5	60	90	240	4500	19	30	11	15
AK4.5	60	90	208	4500	22	30	12	20
AK6	80	150	240	6000	25	40	14	20
AK6	80	150	208	6000	29	40	17	30
AK7.5	100	200	240	7500	31	40	18	30
AK7.5	100	200	208	7510	36	50	21	30
AK9	150	300	240	9000	38	50	22	30
AK9	150	300	208	9000	43	60	25	40
AK11	200	400	240	11000	46	60	26	40
AK11	200	400	208	11250	18 & 36	30 & 50	31	40
AK14	350	550	240	14000	21 & 38	30 & 50	34	50
AK14	350	550	208	13580	24 & 42	30 & 50	38	50

To calculate the generator size required, multiply the length x width x height of the steam room. (Maximum recommended ceiling height is 8 feet.)

For rooms made of natural stone, multiply the cubic volume by 1.75 (stone requires more power to heat)

For rooms exceeding 550 cubic feet, generators may be ganged together to achieve required capacity.

Each generator will require its own power source as described in the chart above.

Example: Room size 750 cu ft, power available 240V 1 phase:  
Use two AK11 generators.  
Requires one 60A circuit for each AK11 steamer (total of two circuits)

Example: Room size 925 cu ft power available 240V 1 phase:  
Use one AK11 ( requires one 60A circuit) plus one AK14 (requires 2 circuits, one 30A + one 50A)

At least one control required, regardless of quantity of generators. Additional controls may be connected.

### ComfortFlo Steam Head, Required (CFSH)

Available in Chrome, White, Polished Nickel, Brushed Nickel, Oil Rubbed Bronze, Brushed Bronze, and Matte Black..

### Electrical Service Information

Dedicated circuit required. See specification chart.  
All electrical wiring to be installed by a licensed electrician in accordance with local and national codes.

### Plumbing Information

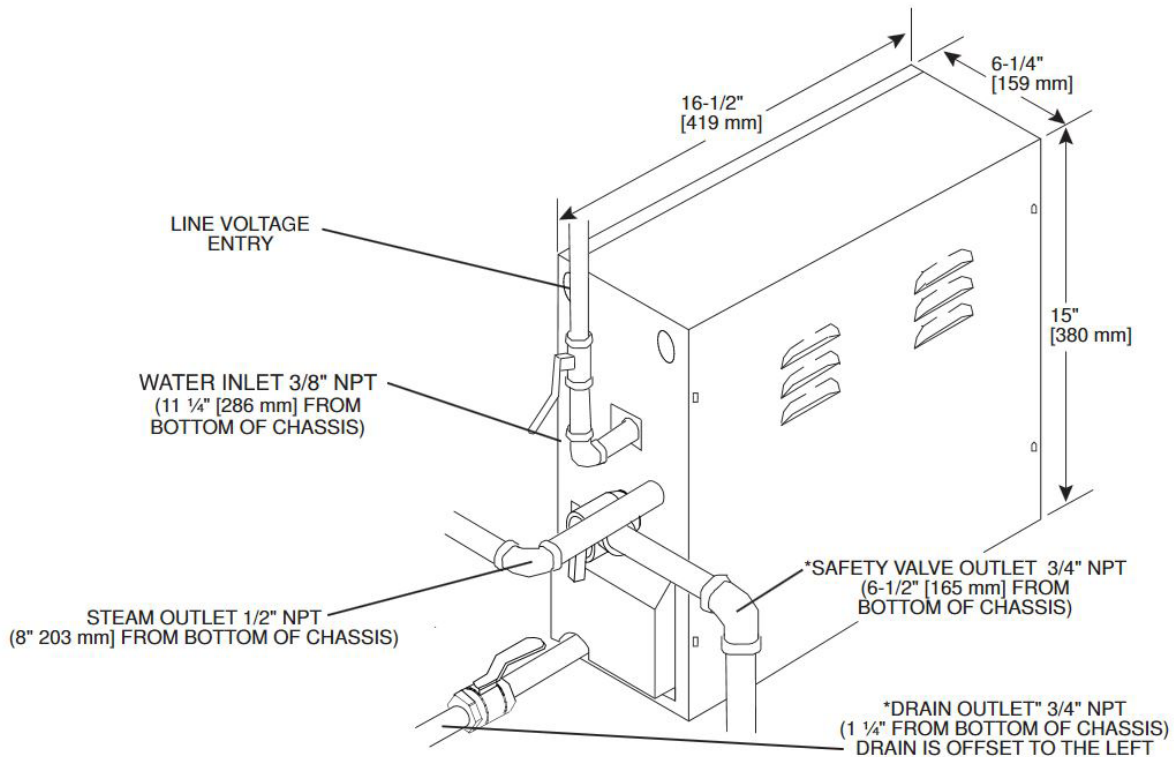
- Water Inlet – 3/8" NPT
- Pressure Relief Valve – 3/4" NPT
- Steam Outlet – 1/2" NPT
- Drain Outlet – 3/4" NPT
- Follow local plumbing codes.

### Generator Shipping Weight & Dimensions

AK 7.5 - AX 14: 35 Lbs.  
Shipping Box: 22" x 20" x 10-1/2"

### Installation Information

- Mount in dry, well ventilated area, not exposed to freezing temperatures.
- Mount generator level, on its base or hung on a wall.
- Provide adequate access serviceability.
- Run 3/8" copper cold water line. Install shut off valve, but do not use a saddle valve.
- Run 1/2" copper steam line, insulate lines longer than 20 ft. in length. Slope pipe to avoid condensation build up. Do not create traps.
- Run 3/4" copper pressure relief line and terminate in accordance with local and national codes.
- Run 3/4" copper drain line, sloping pipe to gravity flow drain. Do not terminate drain into the steam room.
- Steam head to be mounted 18" above floor or 6" above rim of bathtub and as far away from seating area as possible.



AMEREC  
575 E Cokato Street | Cokato, MN 55321  
Toll-Free 1-800-331-0349  
amerec@amerec.com | www.amerec.com

Amerec reserves the right to change specifications and design without notice.  
© 2021 Amerec Steam

**amerec**<sup>®</sup>  
STEAM. SAUNA. SOLUTIONS.