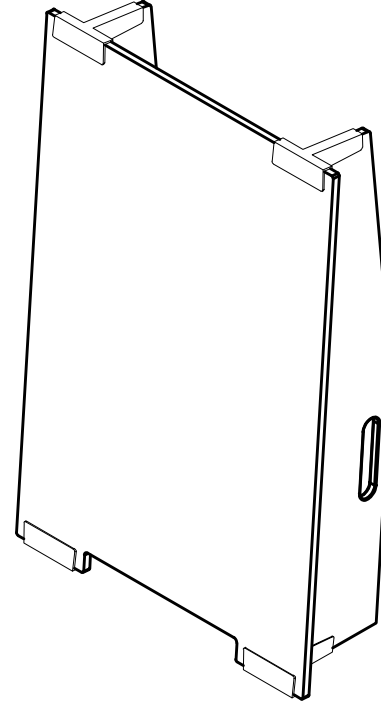
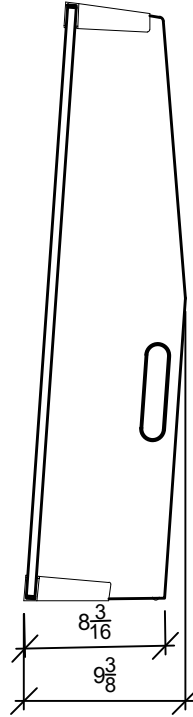
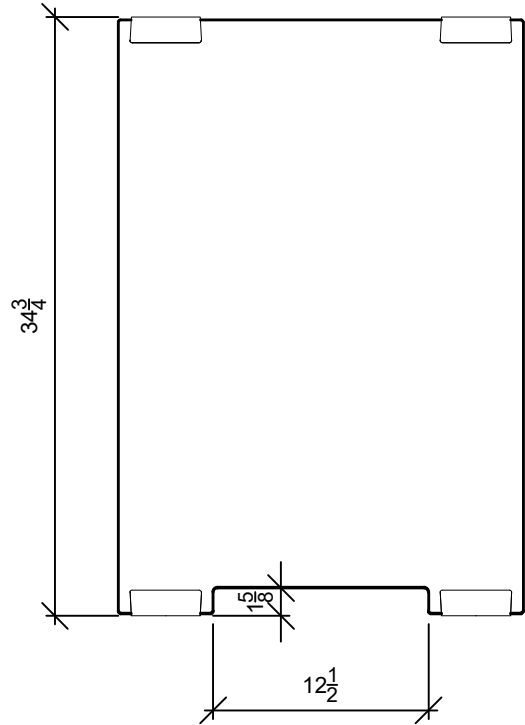
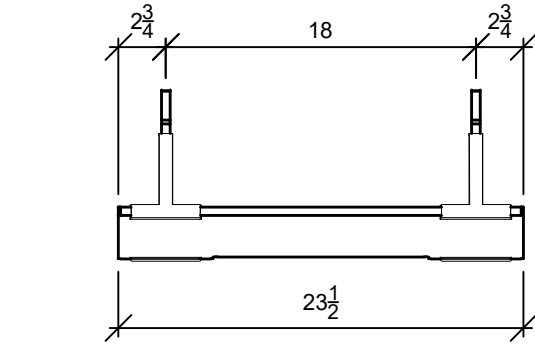


TSS VirusGuard - Mobile Barrier

PRODUCT DRAWING



The information in this drawing is the exclusive property of Total Security Solutions. No part of this drawing may be reproduced or transmitted in any form or by any means, electronic or mechanical, including photocopying, recording, or by any information storage and retrieval system, without the prior written permission of Total Security Solutions.

Total Security Solutions
 935 Garden Lane
 Fowlerville, MI 48836
 Phone: 866.947.8075 Fax: 517.223.0805
 www.tssbulletproof.com



PROJECT NAME:		DATE: 04-15-20		SHEET TITLE:		SHEET NUMBER:	
VIRUS GUARD MOBILE UNIT 935 GARDEN LANE FOWLerville, MI		DRAWN BY: BDH		DETAILS		A0	
		ENG. BY: BDH		REVISIONS:		JOB#:	
		CHECKED BY: BDH		# DATE DESCRIPTION		99999	