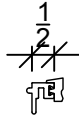
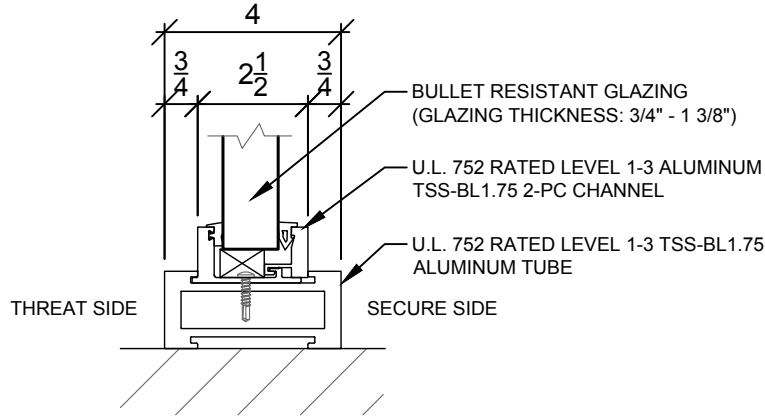


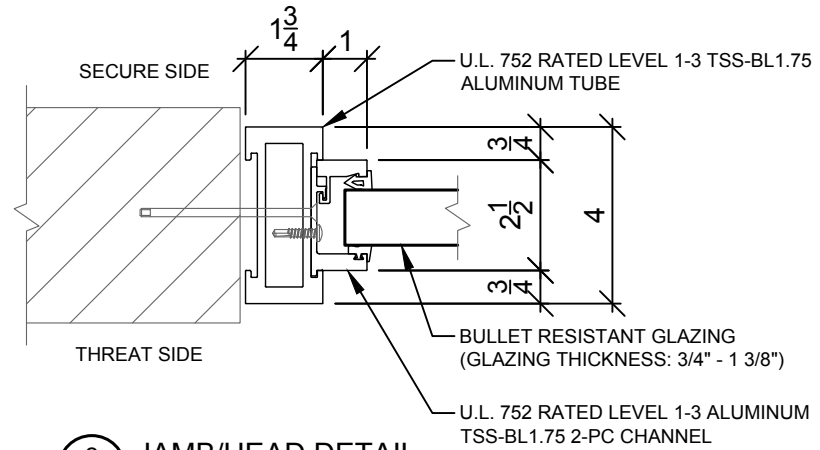
REDUCER REQUIRED FOR THINNER
GLAZING BUILD-UP



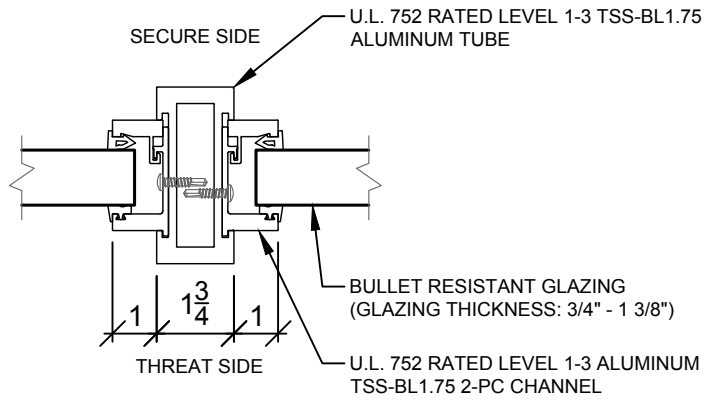
TSS-BL1.75 U.L. 752 LEVEL 1-3 & 6 FRAMING



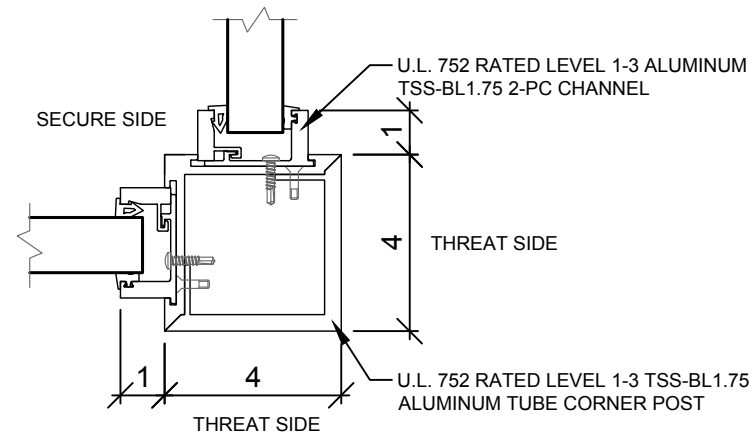
1
A1 SILL DETAIL



2
A1 JAMB/HEAD DETAIL



3
A1 MULLION DETAIL



4
A1 CORNER DETAIL

SHEET NUMBER:		A1
SHEET TITLE:		DETAILS
DATE:	DRAWN BY:	11.30.17 JR
REVISIONS:	ENG. BY:	
#	DATE	DESCRIPTION
A		
A		
A		
CHECKED BY:		
PROJECT NAME:		
TSS BL1.75 FRAMING DETAILS FOR U.L. 752 LEVEL 1-3 & 6		
<small>The information in this drawing is confidential and is the exclusive property of SECURITY SOLUTIONS. Written permission is required for distribution from TOTAL SECURITY SOLUTIONS.</small>		
Total Security Solutions 935 Garden Lane Fowlerville, MI 48836 Phone: 866.947.8075 Fax: 517.223.0805 www.tssbulletproof.com		
TOTAL SECURITY SOLUTIONS		