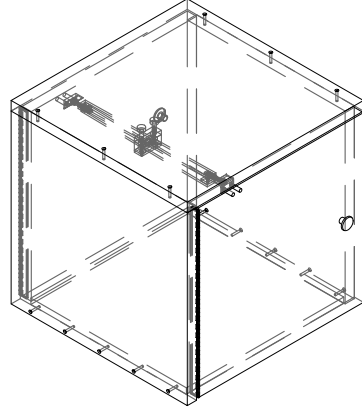


SECURE SIDE



THREAT SIDE



**Total Security Solutions**

935 Garden Lane  
 Flower Mound, TX 78956  
 Phone: 866.844.4444 Fax: 517.223.0805  
 www.tssbulletproof.com

The information in this drawing is confidential. It is the property of TOTAL SECURITY SOLUTIONS. Writing, reproduction and/or distribution of this information without the written consent of TOTAL SECURITY SOLUTIONS is prohibited.

PROJECT NAME:  
**14 X 14 X 14 PACKAGE EXCHANGER**

DATE: 2.15.18  
 DRAWN BY: BDJ  
 ENG. BY:  
 CHECKED BY:

DETAILS	
#	DESCRIPTION

SHEET NUMBER:  
**A1**  
 JOB#:  
**SALES**