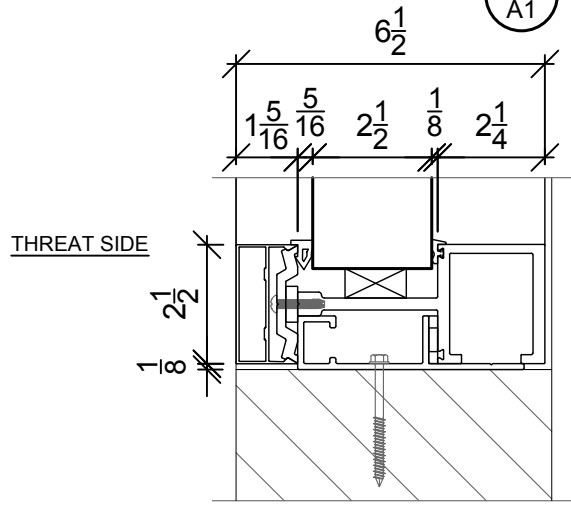
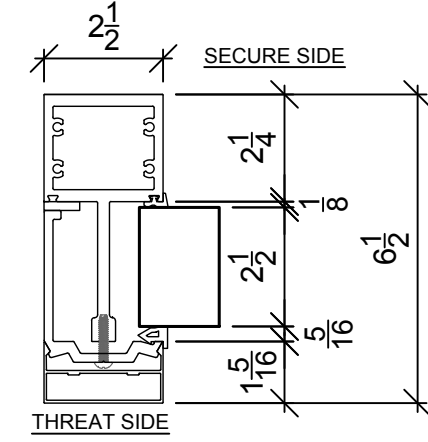


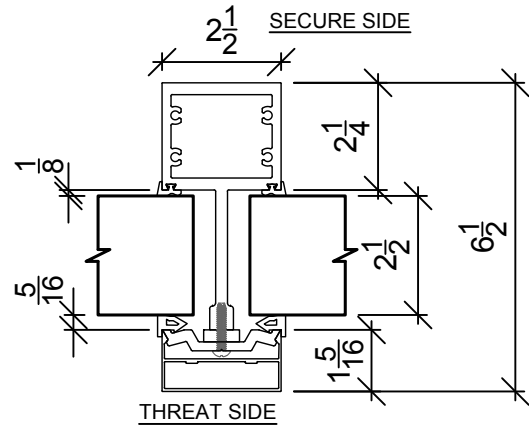
3 SILL DETAIL



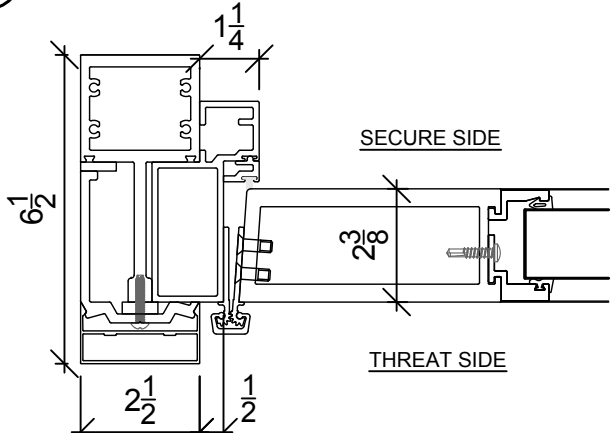
2 JAMB DETAIL



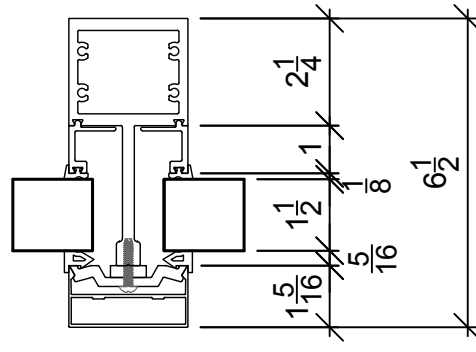
4 MULLION DETAIL



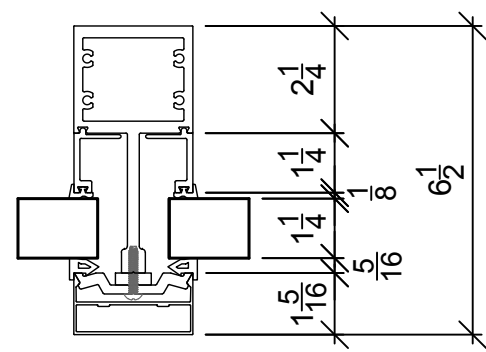
5 DOOR JAMB



6 1 1/2" GLAZING DETAIL



7 1 1/4" GLAZING DETAIL



DATE: 02.19.18	SHEET TITLE: DETAILS	SHEET NUMBER: A1
DRAWN BY: AMR	REVISIONS:	JOB#:
ENG. BY:	# DATE DESCRIPTION	TSS650
CHECKED BY: EM		

PROJECT NAME: TSS-650 THERMAL FRAME

The information in this drawing is confidential. It is the property of TOTAL SECURITY SOLUTIONS. Written permission is required for reproduction and distribution from TOTAL SECURITY SOLUTIONS.

Total Security Solutions
 935 Garden Lane
 Fowlerville, MI 48836
 Phone: 866.947.8075 Fax: 517.223.0805
 www.tssbulletproof.com

