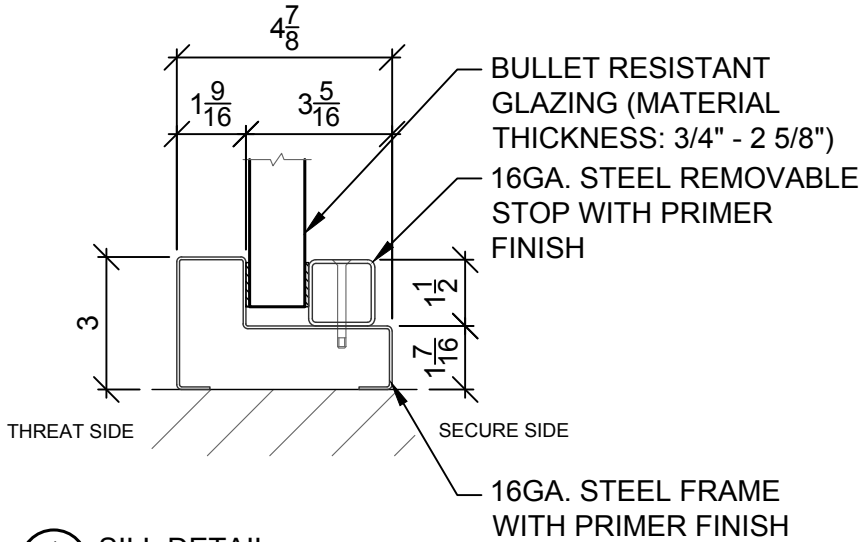
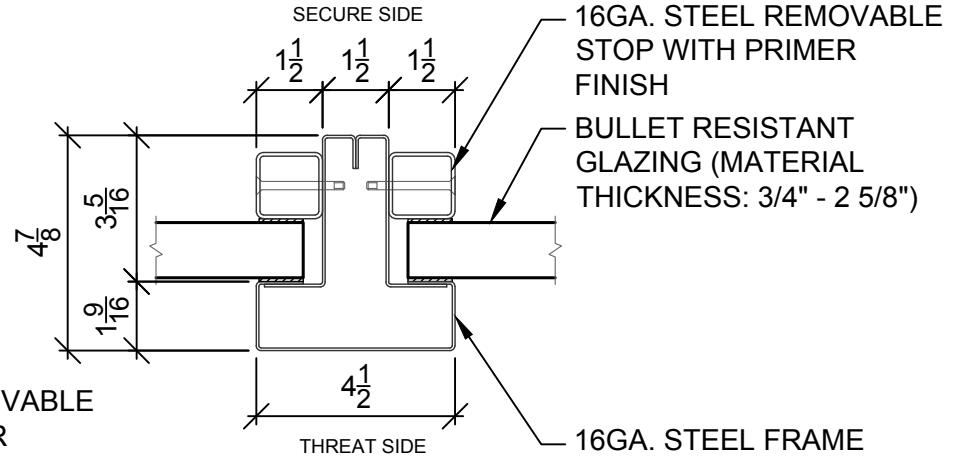


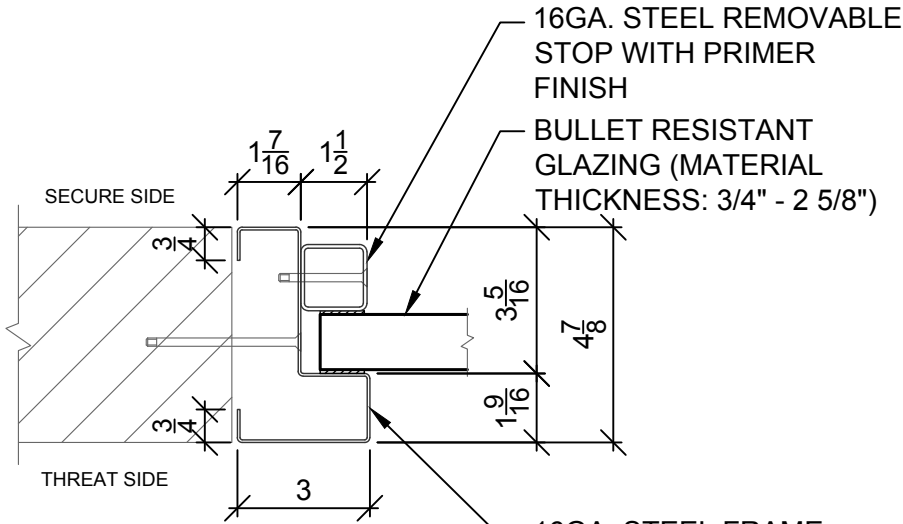
# TSS STEEL HOLLOW METAL FRAMING







1  
A1 SILL DETAIL



3  
A1 MULLION DETAIL



2  
A1 JAMB/HEAD DETAIL

-  OPTION TO LINE HOLLOW METAL FRAME WITH U.L. 752 RATED LEVEL 1 FIBERGLASS
-  OPTION TO LINE HOLLOW METAL FRAME WITH U.L. 752 RATED LEVEL 2 FIBERGLASS
-  OPTION TO LINE HOLLOW METAL FRAME WITH U.L. 752 RATED LEVEL 3 & 6 FIBERGLASS
-  OPTION TO LINE HOLLOW METAL FRAME WITH U.L. 752 RATED LEVEL 4-5 & 7-8 ARMOR PLATE

SHEET NUMBER:	A1	
REVISIONS:	JOB#	
#	DATE	DESCRIPTION
A		
A		
A		
SHEET TITLE:		DETAILS
DATE:	11.30.17	
DRAWN BY:	JR	
ENG. BY:		
CHECKED BY:		

PROJECT NAME:  
TSS STEEL HOLLOW METAL FRAMING  
FOR U.L. 752 LEVEL 1-8 GLAZING

The information in this drawing is confidential and is the exclusive property of TOTAL SECURITY SOLUTIONS. Written permission is required for distribution from TOTAL SECURITY SOLUTIONS.

**Total Security Solutions**  
935 Garden Lane  
Fowlerville, MI 48836  
Phone: 866.947.8075 Fax: 517.223.0805  
www.tssbulletproof.com

**TOTAL SECURITY SOLUTIONS**