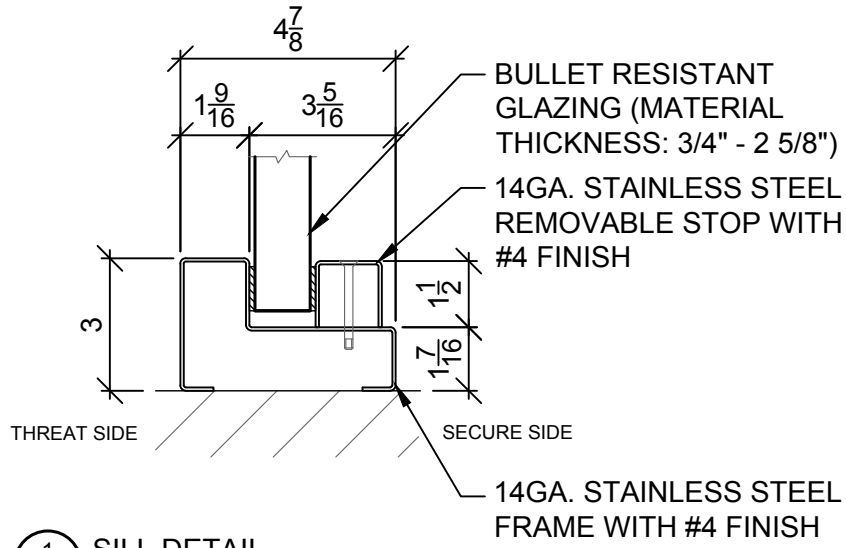
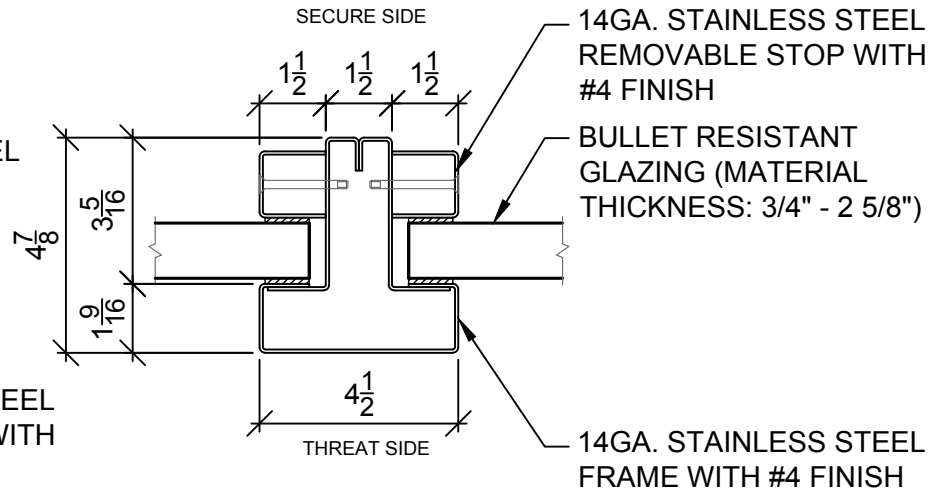


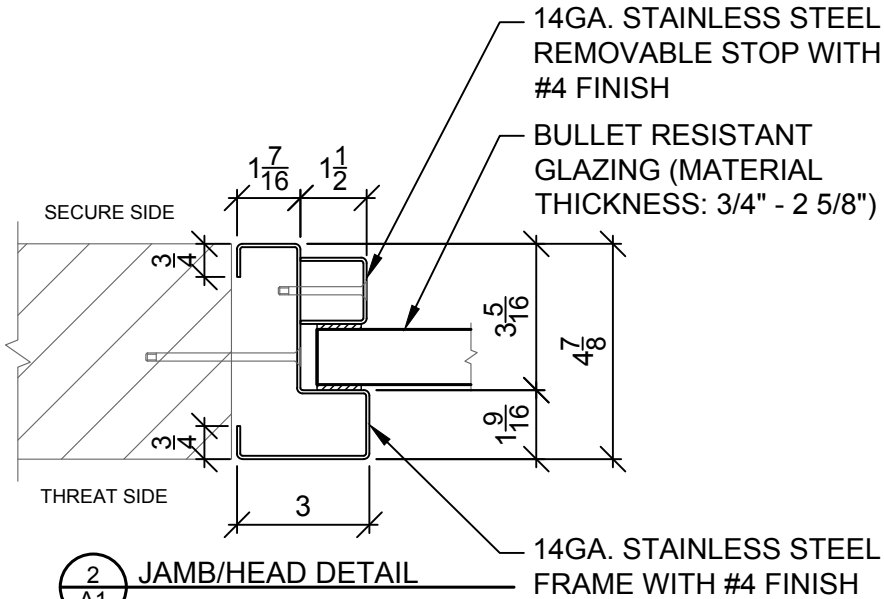
# TSS STAINLESS STEEL FRAMING



1  
A1 SILL DETAIL



3  
A1 MULLION DETAIL



2  
A1 JAMB/HEAD DETAIL

- OPTION TO LINE STAINLESS STEEL FRAME WITH U.L. 752 RATED LEVEL 1 FIBERGLASS
- OPTION TO LINE STAINLESS STEEL FRAME WITH U.L. 752 RATED LEVEL 2 FIBERGLASS
- OPTION TO LINE STAINLESS STEEL FRAME WITH U.L. 752 RATED LEVEL 3 & 6 FIBERGLASS
- OPTION TO LINE STAINLESS STEEL FRAME WITH U.L. 752 RATED LEVEL 4-5 & 7-8 ARMOR PLATE

SHEET NUMBER:	A1
REVISIONS:	JOB#
# DATE	DESCRIPTION
A	
A	
A	
A	
DATE:	11.30.17
DRAWN BY:	JR
ENG. BY:	
CHECKED BY:	

PROJECT NAME:  
TSS STAINLESS STEEL FRAMING  
FOR U.L. 752 LEVEL 1-8 GLAZING

The information in this drawing is confidential and is the exclusive property of SECURITY SOLUTIONS. Written permission is required for distribution from TOTAL SECURITY SOLUTIONS.

**Total Security Solutions**  
935 Garden Lane  
Fowlerville, MI 48836  
Phone: 866.947.8075 Fax: 517.223.0805  
www.tssbulletproof.com

**TOTAL SECURITY SOLUTIONS**