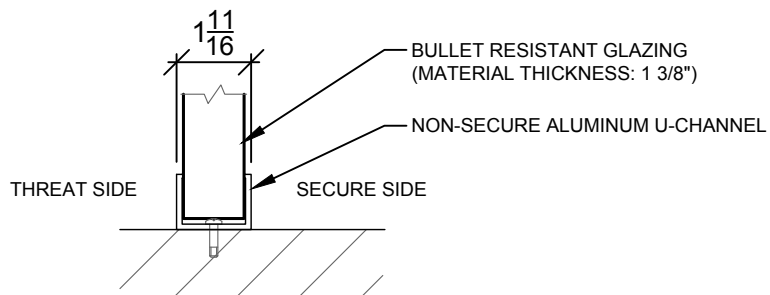
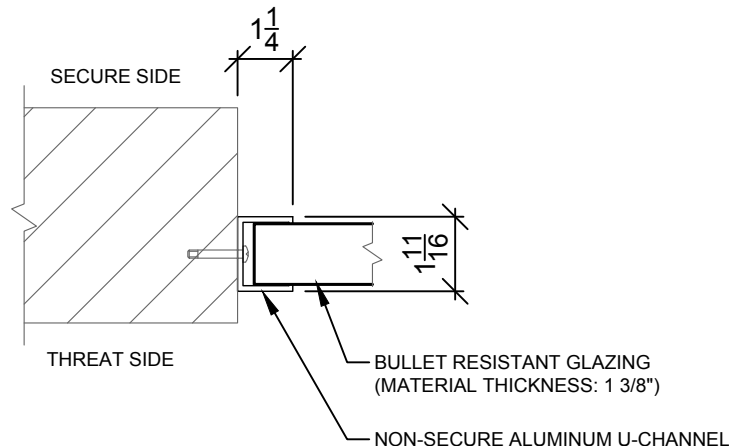


**TSS NON-SECURE U-CHANNEL FOR U.L. 752 LEVEL 2 GLAZING
USED WITH 1 3/8" CAST ACRYLIC**

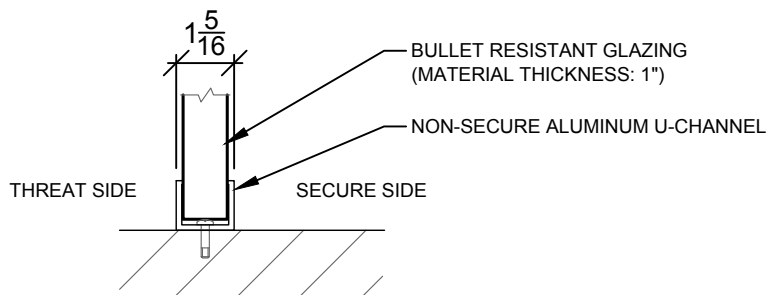


1
A1 SILL DETAIL

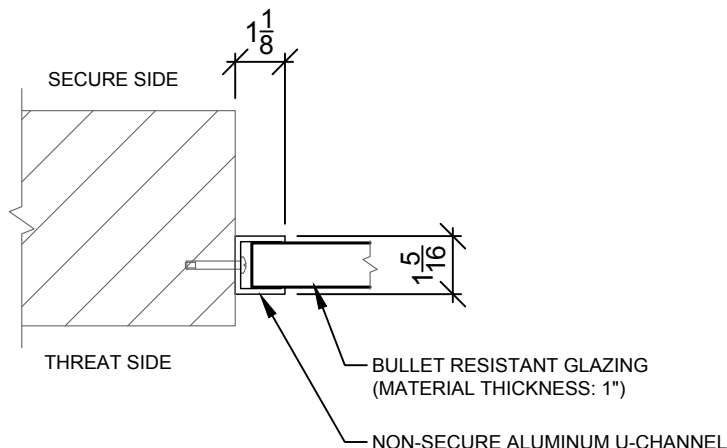


2
A1 JAMB/HEAD DETAIL

**TSS NON-SECURE U-CHANNEL FOR U.L. 752 LEVEL 2 GLAZING
USED WITH 1" LP1000**



3
A1 SILL DETAIL



4
A1 JAMB/HEAD DETAIL

PROJECT NAME: TSS NON-SECURE U-CHANNEL FOR U.L. 752 LEVEL 2 GLAZING		SHEET NUMBER: A1
DATE: 11.30.17		REVISIONS: # DATE DESCRIPTION
DRAWN BY: JR		A
ENG. BY:		A
CHECKED BY:		A
PROJECT TITLE: DETAILS		JOB#: DETAIL

The information in this drawing is confidential and is the exclusive property of SECURITY SOLUTIONS. Written permission is required for distribution from TOTAL SECURITY SOLUTIONS.

Total Security Solutions
935 Garden Lane
Fowlerville, MI 48836
Phone: 866.947.8075 Fax: 517.223.0805
www.tssbulletproof.com

TOTAL SECURITY SOLUTIONS