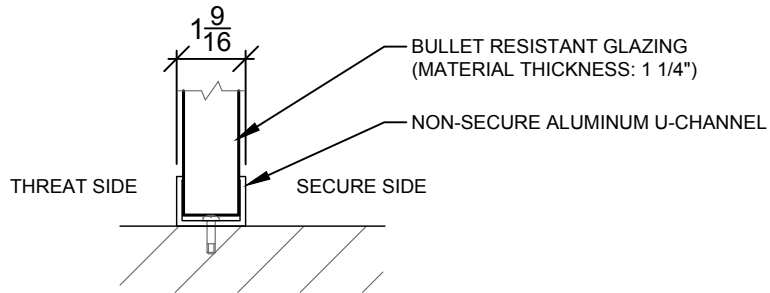
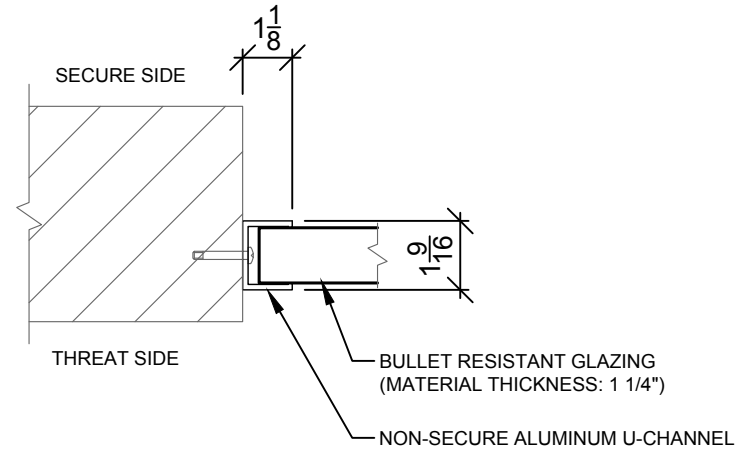


**TSS NON-SECURE U-CHANNEL FOR U.L. 752 LEVEL 1 & 3 GLAZING
USED WITH 1 1/4" CAST ACRYLIC & 1 1/4" LP1250**

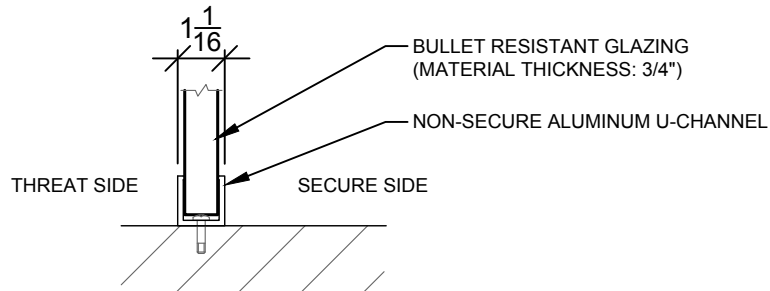


1
A1 SILL DETAIL

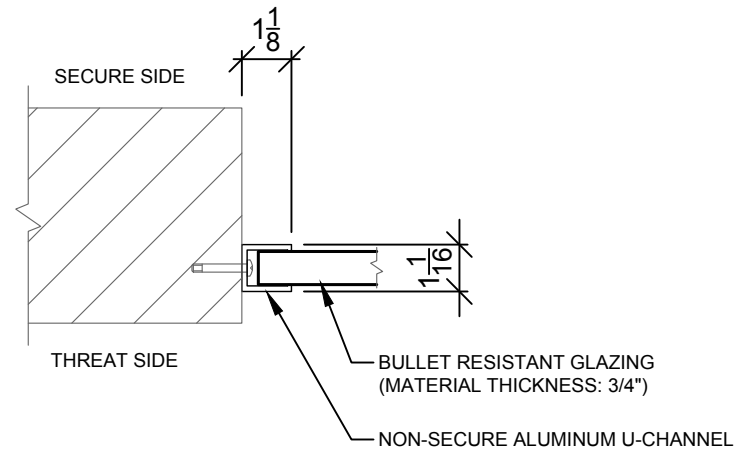


2
A1 JAMB/HEAD DETAIL

**TSS NON-SECURE U-CHANNEL FOR U.L. 752 LEVEL 1 GLAZING
USED WITH 3/4" LP750**



3
A1 SILL DETAIL



4
A1 JAMB/HEAD DETAIL

SHEET NUMBER: A1		JOB#:	
DETAILS		DETAIL	
DATE: 11.30.17	DRAWN BY: JR	# DATE	DESCRIPTION
ENG. BY:	CHECKED BY:	A	A
PROJECT NAME: TSS NON-SECURE U-CHANNEL FOR U.L. 752 LEVEL 1 & 3 GLAZING			
<small>The information in this drawing is confidential and is the exclusive property of TOTAL SECURITY SOLUTIONS. Written permission is required for distribution from TOTAL SECURITY SOLUTIONS.</small>			
Total Security Solutions 935 Garden Lane Fowlerville, MI 48836 Phone: 866.947.8075 Fax: 517.223.0805 www.tssbulletproof.com			
TOTAL SECURITY SOLUTIONS			