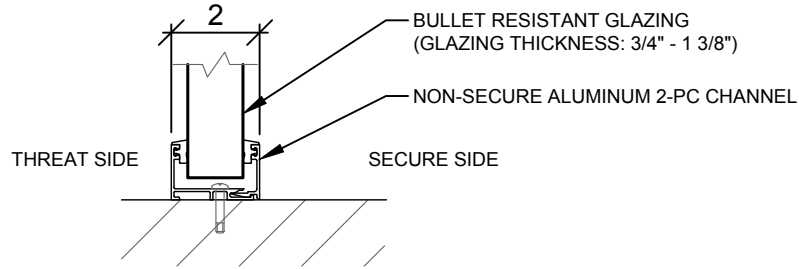


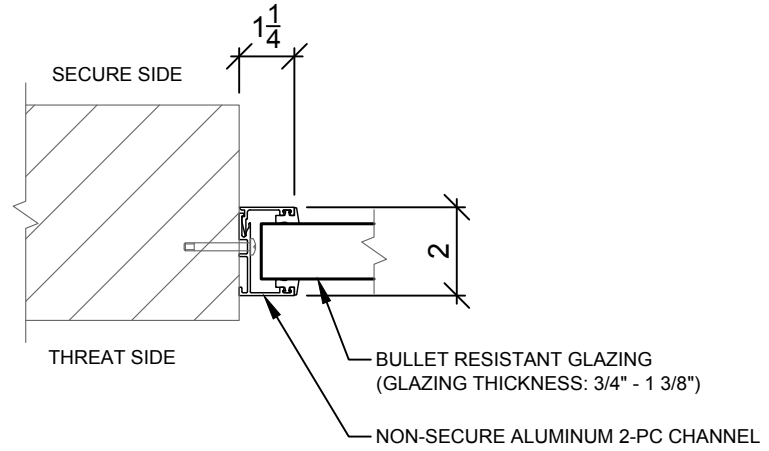
REDUCER REQUIRED FOR THINNER  
GLAZING BUILD-UP



# TSS NON-SECURE 2-PC CHANNEL



1  
A1 SILL DETAIL



2  
A1 JAMB/HEAD DETAIL

DATE: 11.30.17	SHEET TITLE: <b>DETAILS</b>	SHEET NUMBER: <b>A1</b>
DRAWN BY: JR	REVISIONS:	JOB#:
ENG. BY:	# DATE DESCRIPTION	
CHECKED BY:	A	<b>DETAIL</b>
	A	
	A	

PROJECT NAME:  
**TSS NON-SECURE 2-PC CHANNEL  
FOR U.L. 752 LEVEL 1-3 & 6 GLAZING**

The information in this drawing is confidential and is the exclusive property of TOTAL SECURITY SOLUTIONS. Written permission is required for reproduction or distribution from TOTAL SECURITY SOLUTIONS.

**Total Security Solutions**  
935 Garden Lane  
Fowlerville, MI 48836  
Phone: 866.947.8075 Fax: 517.223.0805  
www.tssbulletproof.com

**TOTAL  
SECURITY  
SOLUTIONS**