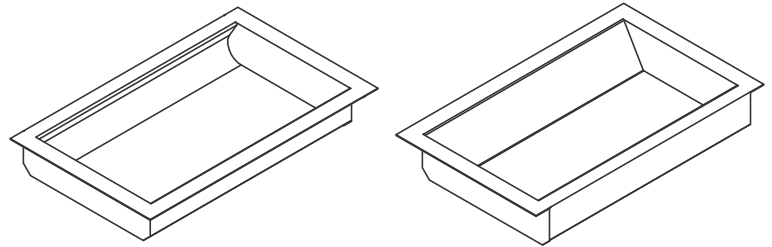


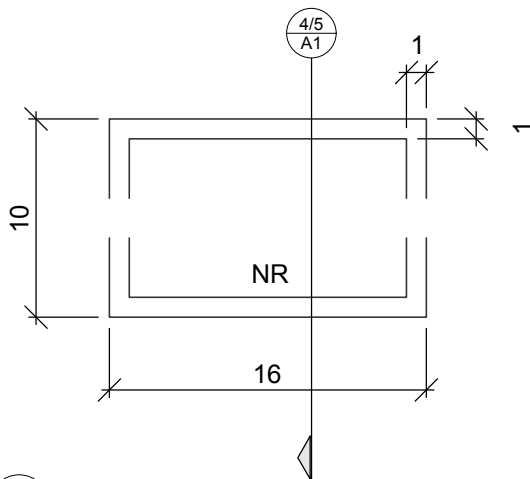
RECESSED NON-RICOCHET **CASH TRAY**

FEATURES

- Wide range of sizes available
- Welded stainless steel construction
- No exposed fasteners
- Easy installation



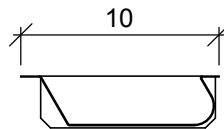
3 ISOMETRIC VIEW



1 PLAN

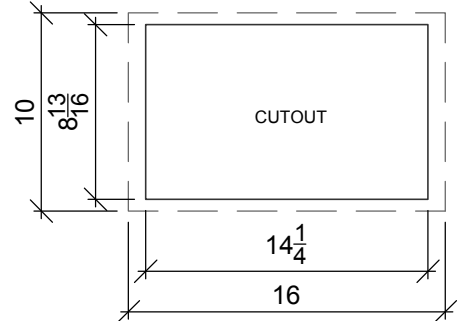


2 ELEVATION



5 SECTION

INSTALL RECESSED CASH TRAY
BY ROUTING OUT A HOLE IN THE
COUNTERTOP (AS DETAILED)



CUT OUT SIZE: 14 1/4" x 8 13/16"

STANDARDS

The deal tray is easily installed on new or existing counters. The tray is constructed of 18 GA Stainless steel with a #4 brushed satin finish, all joints welded and ground smooth.

- Installed flush with counter top
- Brushed stainless steel finish
- Curved design assists with redirecting bullets

SIZES

16" x 10" x 2-1/2"

Custom sizes available.