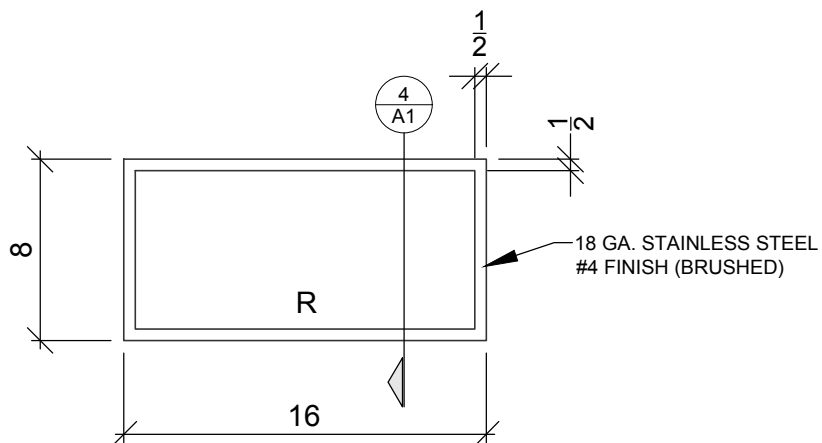
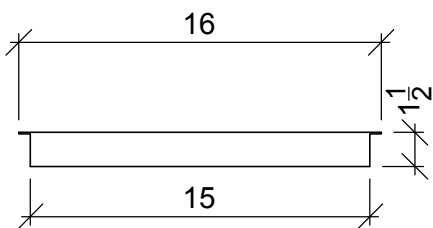


AVAILABLE SIZES

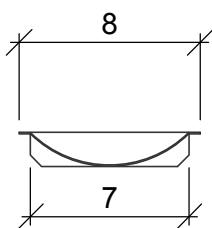
- 12" x 8" x 1 1/2"
- 14" x 8" x 1 1/2"
- 16" x 8" x 1 1/2"
- 12" x 10" x 1 1/2"
- 14" x 10" x 1 1/2"
- 16" x 10" x 1 1/2"



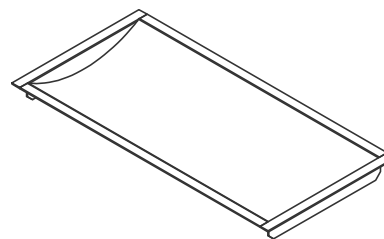
1 PLAN
A1



2 ELEVATION
A1

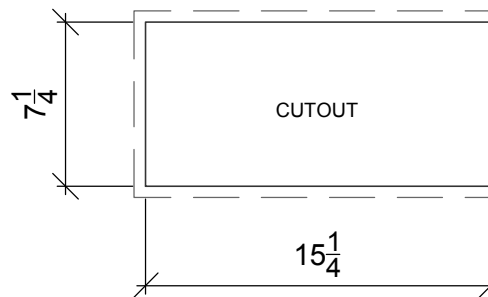


4 SECTION
A1



3 ISOMETRIC VIEW
A1

INSTALL RECESSED CASH TRAY
BY ROUTING OUT A HOLE IN THE
COUNTERTOP (AS DETAILED)



CUT OUT SIZE: 15 1/4" X 7 1/4"

<p>PROJECT NAME: RECESSED TRAY 16" x 8" x 1 1/2"</p>	DATE: 01.30.18	SHEET TITLE: DETAILS	SHEET NUMBER: A1
	DRAWN BY: SRK	REVISIONS:	JOB#: SALES
ENG. BY:	# DATE DESCRIPTION	CHECKED BY:	
<p>The information in this drawing is confidential. It is for the use of TOTAL SECURITY SOLUTIONS. Written permission is required for reproduction and/or distribution. TOTAL SECURITY SOLUTIONS™</p>			
<p>Total Security Solutions 935 Garden Lane Fowlerville, MI 48836 Phone: 866.947.8075 Fax: 517.223.0805 www.tssbulletproof.com</p>			
<p>TOTAL SECURITY SOLUTIONS</p>			