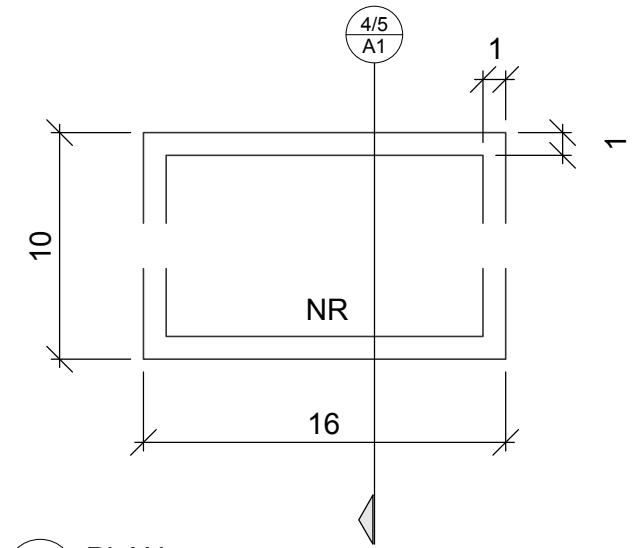
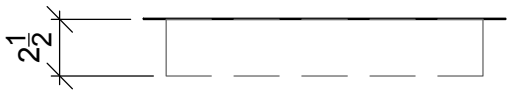


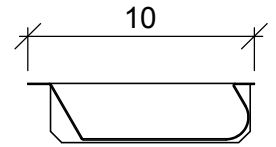
AVAILABLE SIZES
 - 16" x 10" X 2 1/2"



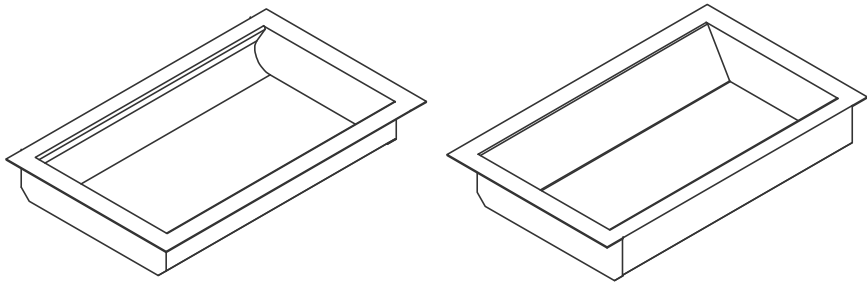
1 PLAN
 A1



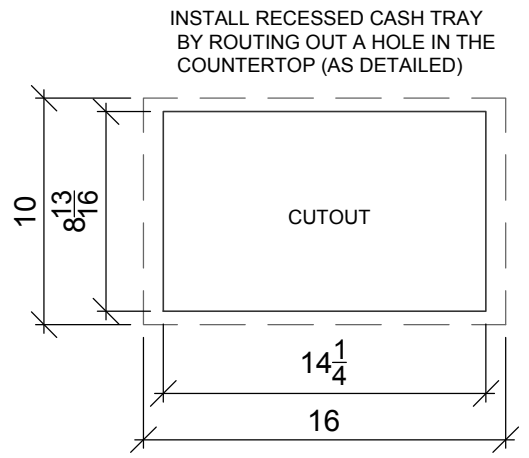
2 ELEVATION
 A1



5 SECTION
 A1



3 ISOMETRIC VIEW
 A1



CUT OUT SIZE: 14 1/4" x 8 13/16"

Total Security Solutions 935 Garden Lane Fowlerville, MI 48836 Phone: 866.947.8075 Fax: 517.223.0805 www.tssbulletproof.com	PROJECT NAME: RECESSED NON-RICOCHET DEAL TRAY 16" x 10" x 2 1/2"	SHEET TITLE: DETAILS	SHEET NUMBER: A1
	DATE: 1.11.18 DRAWN BY: SRK ENG. BY: CHECKED BY:	REVISIONS: # DATE DESCRIPTION A1 A1	JOB#: SALES

TOTAL SECURITY SOLUTIONS