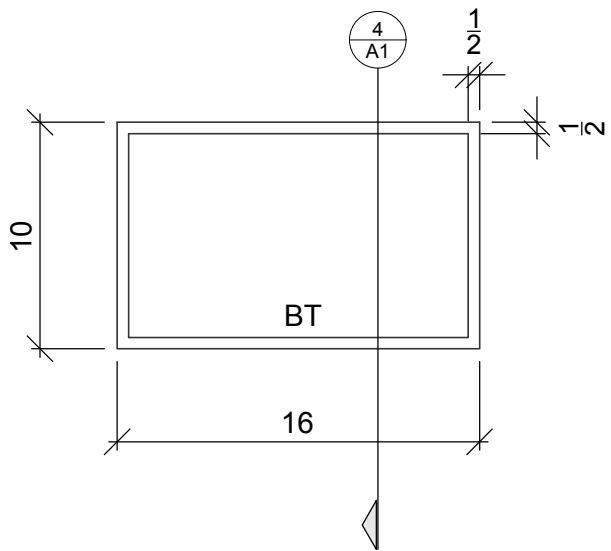
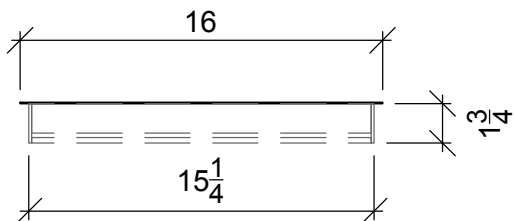


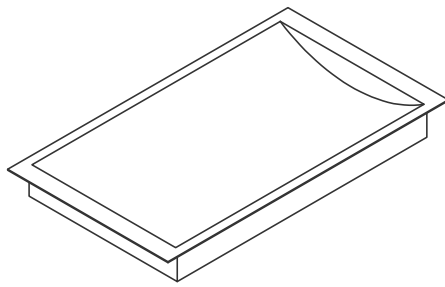
**AVAILABLE SIZES**  
 - 16" x 10" X 1 3/4"



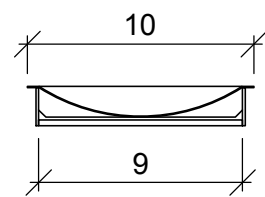
1 PLAN  
A1



2 ELEVATION  
A1

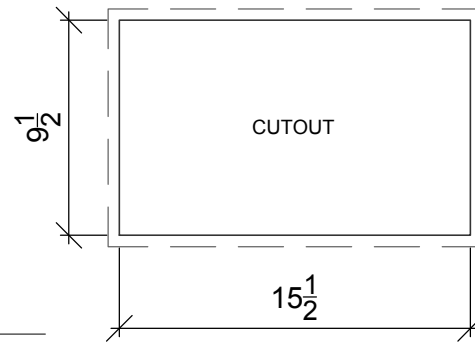


3 ISOMETRIC VIEW  
A1



4 SECTION  
A1

INSTALL RECESSED CASH TRAY  
 BY ROUTING OUT A HOLE IN THE  
 COUNTERTOP (AS DETAILED)



CUT OUT SIZE: 15 1/2" x 9 1/2"

PROJECT NAME: <b>RECESSED TRAY W/BULLET TRAP</b> 16 x 10" x 1 3/4"	DATE: 3.3.17	SHEET TITLE: <b>DETAILS</b>	SHEET NUMBER: <b>A1</b>
	DRAWN BY: SRK	REVISIONS: # DATE DESCRIPTION	JOB#: <b>SALES</b>
The information in this drawing is confidential. It is the property of TOTAL SECURITY SOLUTIONS. Written reproduction and/or distribution without the written consent of TOTAL SECURITY SOLUTIONS is prohibited.		ENG. BY:	CHECKED BY:
<b>Total Security Solutions</b> 935 Garden Lane Fowlerville, MI 48839 Phone: 866.847.8079 Fax: 517.223.0805 www.tssbulletproof.com		<b>TOTAL SECURITY SOLUTIONS</b>	