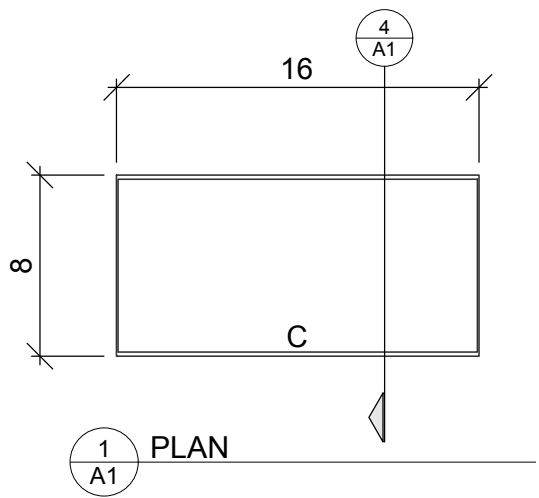
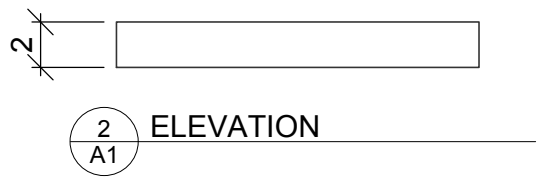


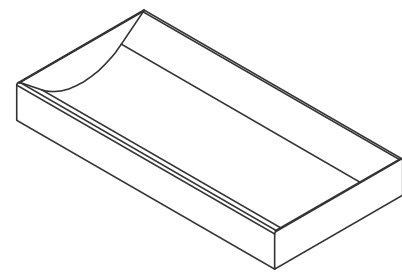
AVAILABLE SIZES	
-	14" x 8" x 2"
-	16" x 8" x 2"
-	14" x 10" x 2"
-	16" x 10" x 2"



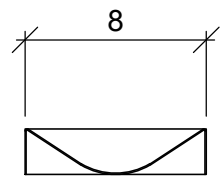
1 PLAN  
A1



2 ELEVATION  
A1



3 ISOMETRIC VIEW  
A1



4 SECTION  
A1

<b>TOTAL SECURITY SOLUTIONS</b> 935 Garden Lane Fowlerville, MI 48839 Phone: 866.847.8079 Fax: 517.223.0805 www.tssolnetproof.com	PROJECT NAME: <b>COUNTER MOUNT CURRENCY TRAY</b> 16" x 8" x 2"	SHEET TITLE: <b>DETAILS</b>	SHEET NUMBER: <b>A1</b>
	The information in this drawing is confidential. It is the property of TOTAL SECURITY SOLUTIONS. Written reproduction and/or distribution without the written consent of TOTAL SECURITY SOLUTIONS is prohibited.	DATE: 1.29.18 DRAWN BY: SRK ENG. BY: CHECKED BY:	REVISIONS: #   DATE   DESCRIPTION