

DESCRIPTION

The PP package passer consists of a rectangular box built from transparent bullet resistant glazing material, with a trim handle on the employee side that allows a large pizza box to be passed through a barrier. The PP is designed for moderate to frequent use, long service life, low cost, and little or no maintenance. For applications requiring the passage of large to very large packages, people, or equipment, contact our sales/engineering department for more information.

FEATURES

- Black Laminate Base (Standard)
- Delivered assembled, ready for installation
- Levels 3 through 3 ballistic options
- Door on threat side, open on secure
- Full vision through passer

BALLISTIC AND FORCED ENTRY RATING

- U.L. Level 1 – 9 mm | 3 Shots | 1 1/4" Uncoated or AR Coated Acrylic
- U.L. Level 2 -- .357 Mag | 3 Shots | 1 3/8" AR Coated Acrylic
- U.L. Level 3 -- .44 Mag | 3 Shots | 1 1/4" LP 1250 Laminated

SIZES

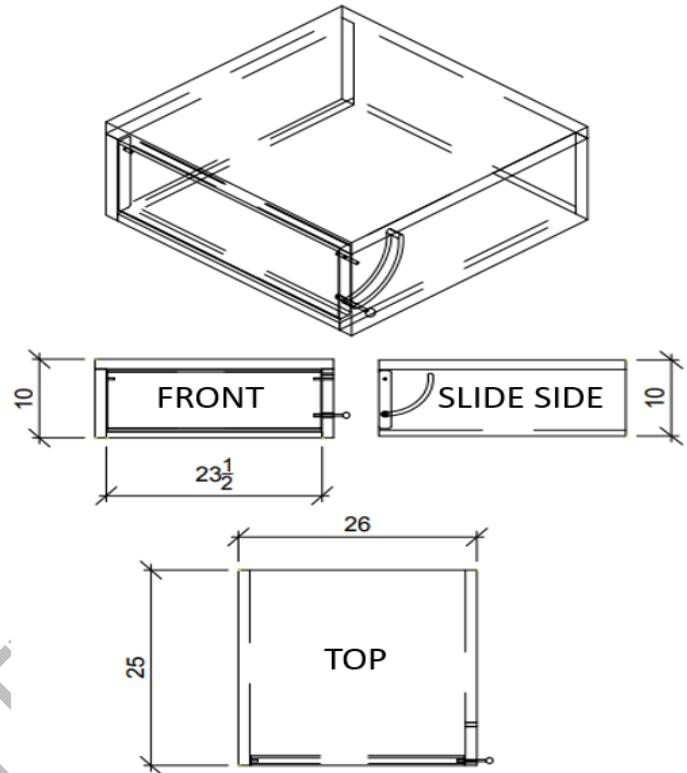
Typical Standard Size: Box OD 26" W x 10" H x 26" D

Custom sizes manufactured based on maximum package dimensions. Consult factory for unit sizing. Please contact our sales/engineering department for current pricing & delivery information.

TECHNICAL SUPPORT

TSS maintains a full staff of professional and experienced sales representatives, project estimators, engineers, draftsmen, craftsmen and installers ready to assist in all phases of the bullet resistant project from initial design through installation. Consult sales department or your local representative for assistance with all your bullet resistant needs at 1.517.223.7807.

TSS PIZZA PASSER



HANDLING INFORMATION

It is imperative to clean the glazing unit during and after the construction period to maintain optimum performance and aesthetic properties. To clean, use a soft, clean cloth and a mild soap, detergent, or slightly acidic cleaning solution (such as vinegar). Wipe with a clean, lint-free cloth.

STANDARD WARRANTY

TSS offers a twelve month limited warranty. This warranty does not cover damage caused by neglect, abuse, vandalism, improper maintenance, accident or any other cause beyond the supplier's control not arising out of defects in material or workmanship. The warranties stated replace and exclude all other warranties. The warranty is limited to replacing products that fail to meet specification, or are defective in quality or workmanship at the time of delivery. TSS will not be responsible for (re)installation expenses or any direct or indirect loss(es) which may result from a defective product. TSS reserves the right to field inspect any product alleged to be defective. The buyer is responsible for any consequences resulting from product use.