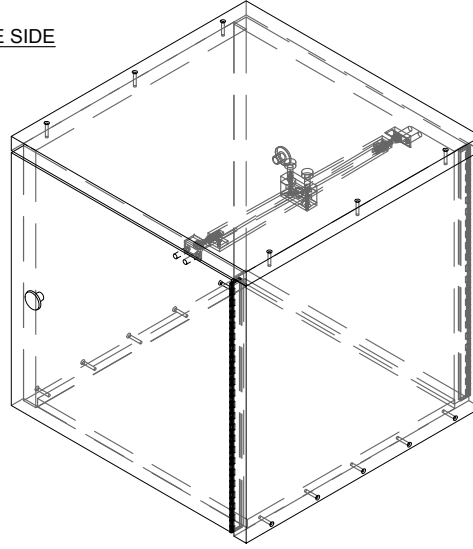


SECURE SIDE



THREAT SIDE

**TOTAL
SECURITY
SOLUTIONS**

Total Security Solutions
935 Garden Lane
Fowlerville, IL 48636
Phone: 866.947.8075 Fax: 517.223.0805
www.tssbulletproof.com

The information in this drawing is confidential. It is the property of TOTAL SECURITY SOLUTIONS. Writing for reproduction and/or distribution without the written consent of TOTAL SECURITY SOLUTIONS.

PROJECT NAME:
24 X 24 X24 PACKAGE EXCHANGER

DATE: 2.15.18
DRAWN BY: BDJ
ENG. BY:
CHECKED BY:

SHEET TITLE:
DETAILS
REVISIONS:

#	DATE	DESCRIPTION
A		
A		

SHEET NUMBER:
A1
JOB#:
SALES