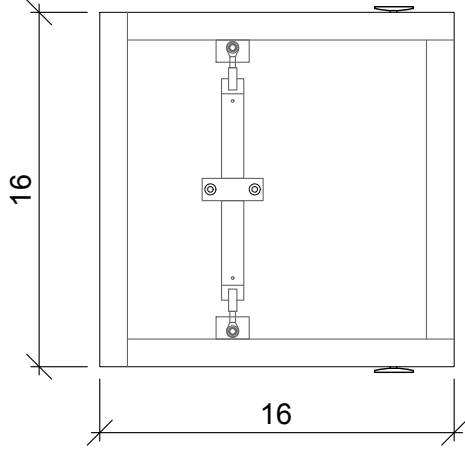


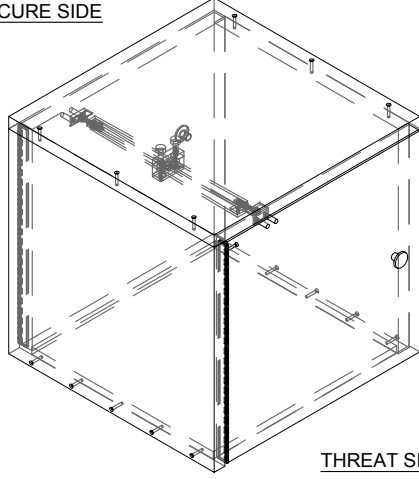
16



16

16

SECURE SIDE



THREAT SIDE

**TOTAL
SECURITY
SOLUTIONS**

Total Security Solutions

935 Garden Lane
Fowlerville, IL 46836
Phone: 866.947.8075 Fax: 517.223.0805
www.tssbulletproof.com

The information in this drawing is confidential. It is the property of TOTAL SECURITY SOLUTIONS. Writing, reproduction and/or distribution of this drawing without the written consent of TOTAL SECURITY SOLUTIONS is prohibited.

PROJECT NAME:
16 X 16 X 16 PACKAGE EXCHANGER

DATE: 2.15.18

DRAWN BY: BDJ

ENG. BY:

CHECKED BY:

SHEET TITLE:

DETAILS

REVISIONS:

| DATE | DESCRIPTION

SHEET NUMBER:

A1

JOB#:

SALES