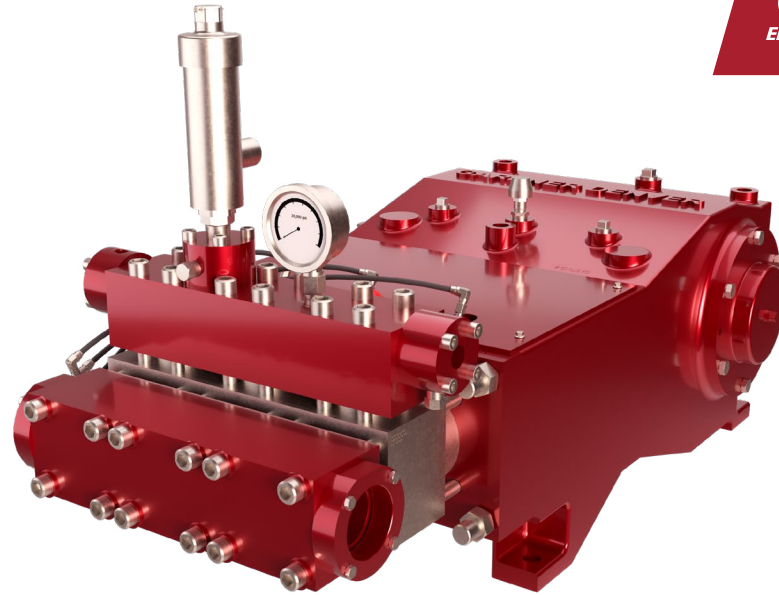


# PUMPS

## TY-375S WATERJETTING PUMP



### STANDARD FEATURES

- Rugged elastomer inserted valves provide superior service in “dirty” water applications
- Pressure/flow convertibility from well of pump doesnot require unbolting and retorquing
- No valve change required
- Sectionalized “L” fluid end design
- Pressure range of 4,000 to 15,000 PSI
- Flow rates from 8 GPM to 60 GPM
- Maximum frame load of 19,500 lbs / 8,845 Kg for single speed
- Flanged suction and discharge ports (both ends)
- Field proven design. Easy field maintenance
- Stainless steel fluid end construction
- Rigorously subjected to full load testing
- Manufactured onstate-of-the-art machinery

### SPECIFICATIONS

Weight	2,100 lbs / 953 Kg
Maximum RPM	515 RPM
Stroke Length	3.75 in / 95 mm

### APPLICATIONS

- Water Blasting
- Concrete Demolition
- Hydrostatic Testing
- Surface Preparation
- Water Disposal

	PLUNGER DIAMATER		MAX PRESSURE		FLOW					
					200 RPM		400 RPM		500 RPM	
	in.	mm.	PSI	bar	GPM	LPM	GPM	LPM	GPM	LPM
TY-375S AT 150HP	1.06	28	12000	828	8.6	33	17.3	65	21.6	82
	1.25	32	8000	552	12.0	45	23.9	91	29.9	113
	1.56	40	5000	345	18.7	71	37.4	142	46.7	177
	1.75	44	4000	276	23.4	89	46.9	178	58.6	222
TY-375S AT 200HP	1.06	26	15000	1034	8.6	33	17.3	65	21.6	82
	1.25	32	11000	759	12.0	45	23.9	91	29.9	113
	1.56	40	6800	469	18.7	71	37.4	142	46.7	177
	1.75	44	5300	366	23.4	89	46.9	178	58.6	222
TY-375S AT 250HP	1.06	26	15000	1034	8.6	33	17.3	65	21.6	82
	1.25	32	14000	966	12.0	45	23.9	91	29.9	113
	1.56	40	8500	586	18.7	71	37.4	142	46.7	177
	1.56	44	6700	462	23.4	89	46.9	178	58.6	222
TY-375S AT 300HP	1.25	32	15000	1034	12.0	45	23.9	91	29.9	113
	1.56	40	10000	690	18.7	71	37.4	142	46.7	177
	1.75	44	8000	552	23.4	89	46.9	178	58.6	222

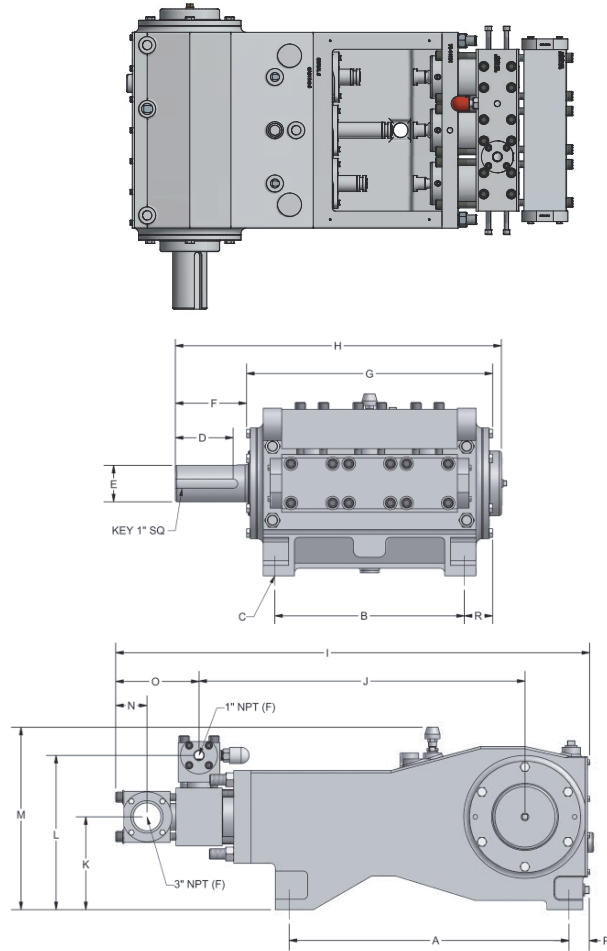
Note: All flows are based on 100% volumetric efficiency.

Consult with factory for delivery.

# TY-375S

## WATERJETTING PUMP

### SPECIFICATIONS



### FLUID END

- 1. Fluid Cylinder Body:** Machined from a solid block of stainless steel. Internal cylinder bore volume is minimized. Flanged discharge ports: 1" NPT (F).
- 2. Valves:** Stainless steel, wing-guided and spring-loaded for positive closing. Valve seats have a straight shoulder. Both are machined, heat-treated and ground with replaceable elastomers seals.
- 3. Suction Manifold:** Anodized aluminum with flanged 3" NPT (F) ports. Also available in stainless for salt water applications.
- 4. Stuffing Boxes:** Machined from heat treated stainless steel.
- 5. Plungers:** Colmonoy coated stainless steel or solid tungsten carbide clamp style quick change plunger connection.
- 6. Plunger Packing:** Cartridge assembly is easily installed from the pump cradle. Packing consists of multiple elements, chevron style and are self-adjusting. Force fed water provides lubrication and cooling.
- 7. Pressure Relief:** Pressure safety head assembly (rupture disc), integrally mounted in the fluid cylinder. Relief valve and pressure gauge are included.

### POWER END

- 8. Power Frame:** Manufactured from a single piece casting of high strength gray cast iron.
- 9. Crankshaft:** Single extended alloy steel with tapered roller bearings to minimize side thrust load.
- 10. Connecting Rods:** Ductile iron with automotive type split insert bearings.
- 11. Crossheads:** Large, piston type constructed of gray iron.
- 12. Diaphragm Seals:** Installed with o-rings or gaskets and neoprene oil seals.

Bearings and crossheads are oil lubricated with a combined splash gravity system that insures adequate circulation at speeds as low as 200 RPM.

	A	B	C	D	E	F	G	H	I	J	K	L	M	N	O	P	Q
in.	30 1/4	20 1/2	1.06	6	4	7 3/4	26 5/8	35 1/4	51 1/4	35 1/4	10	16 5/8	19 11/16	3 3/8	9	2 1/4	3
mm.	768	521	27	152	102	197	676	895	895	1105	254	422	500	86	229	57	76