

FLUID END

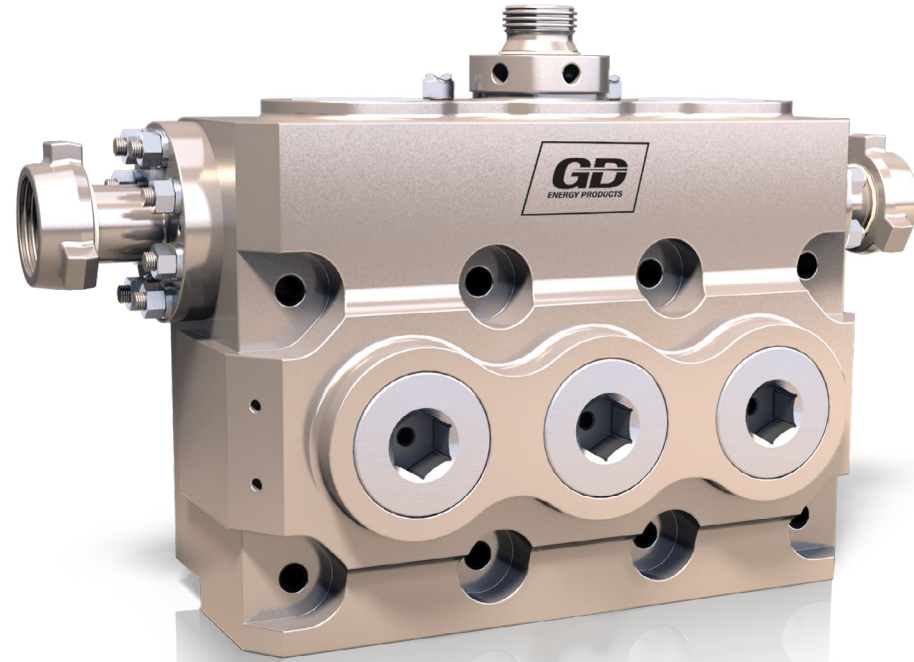


OUTLAW

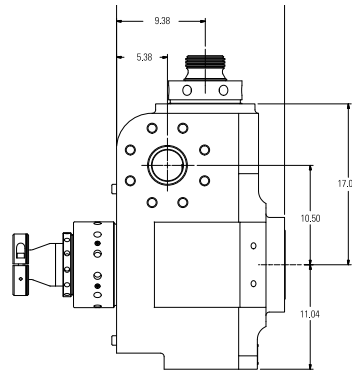
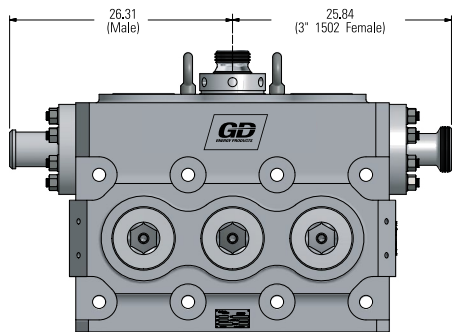
GD Energy Products' fluid ends are not just best-in-class — they're in a class of their own. The most critical part of a well-service pump, fluid ends are subjected to extreme stress and are a common source of failure. With a 40-year history of fluid end innovation, GD Energy Products considerably strengthens this weak link. Outperforming the competition and providing the lowest cost of ownership, GD Energy Products fluid ends deliver reliability, safety and peace of mind.

STANDARD FEATURES

- Same internal components used in the equivalent size SGWS except,
 - Stuffing Box
 - Plunger
 - Seal Carrier & D-Ring Seals
- Utilizes Falcon spring retainer technology for enhanced serviceability
- Optimized fluid end geometry to minimize cross bore intersection and suction deck stresses
- Designed with stainless steel for 2-3X life of the direct competitor
- Threaded stuffing box eliminates up to 60% of fasteners during installation and removal of the fluid end
- Proven bore seal technology provides superior stuffing box sealing performance



SPECIFICATIONS



OUTLAW FLUID END

CYLINDER SIZE	VALVE FAMILY
4.5"	P5
5.0"	P5
5.5"	P5