

CONSUMABLES



DRILLING PUMP VALVES AND SEATS

DRILLING EXPENDABLES MANUFACTURED WITH FIELD-PROVEN TECHNOLOGY

GD Energy Products Redline valves and seats are designed for maximum performance and reliability. Our full-open, bonded design provides optimal flow efficiency and maximum sealing. Featuring a proprietary urethane blend, our API 6 and API 7 valve is a field proven performer in temperatures up to 300°F

Manufactured in the USA, GD Energy Products' Redline valves have outperformed the competition in numerous basins. Compatible with both oil and water-based drilling muds, our "deep groove", two-piece fused-body valve design contains additional urethane for improved durability and extended life.

Our full-line of drilling pump consumables serve as the perfect complement to our performance-proven drilling pumps. With our "ready inventory" promise, our Redline drilling pump consumable products are readily available and offer unparalleled quality and reliability.

FEATURES & BENEFITS

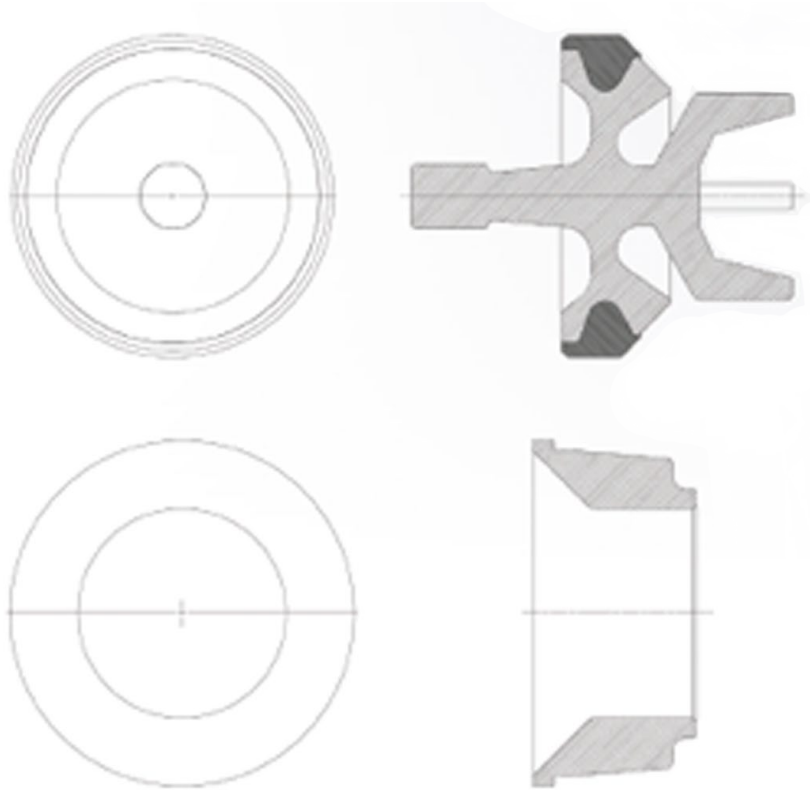
- Rated for pressures up to 7500 psi and 300°F
- Full open design for max flow efficiency
- Compatible with Oil & Water-based muds
- Abrasion and chemical resistant
- Available in API 6, API 6 Mod & API 7 sizes
- Manufactured in USA
- Two Piece Fusion Welded Valve Body



DRILLING PUMP VALVES AND SEATS

DRILLING EXPENDABLES MANUFACTURED WITH
FIELD-PROVEN TECHNOLOGY

SPECIFICATIONS



API 6 VALVE ASSEMBLY PART #'S		API 7 VALVE ASSEMBLY PART #'S	
Valve	329PZL482	Valve	319PZL482
Seat	305PZL039	Seat	304PZL039
Spring	301PZL105	Spring	300PZL105